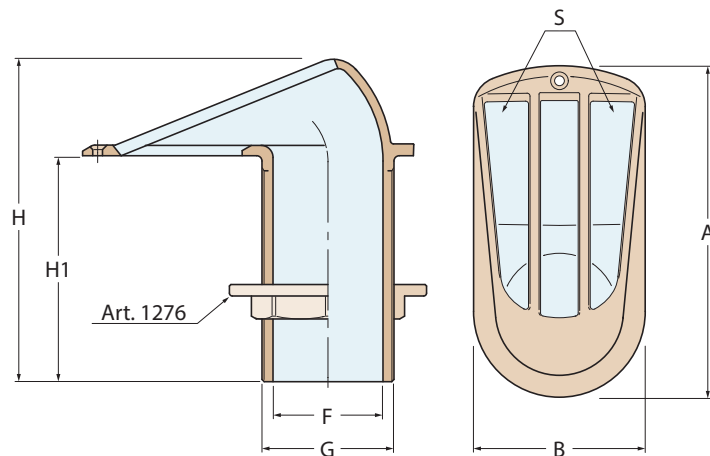


prese e scarichi a mare water intakes and thru-hulls

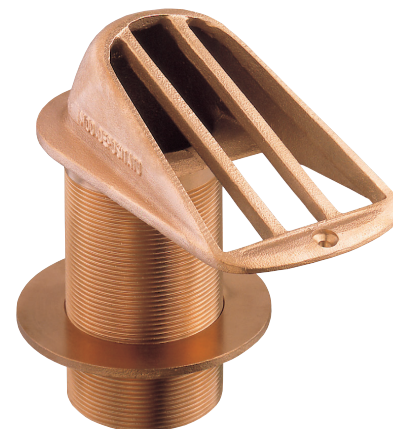
1113B

Preso a mare serie "2000 export"
Grated water intake "2000 export" series



FILETTATURE / THREAD :
G = ISO 228/1 (BS 2779)

1113B	■	■	■	■	■	■	■
Weight (gr)	565	830	1120	1630	2650	3380	6000
S (cm ²)	12.5	22	28.5	49.2	76.5	101	191
H	121	131	140	157	189	214	285
H1	90	95	100	110	130	150	200
F	25	33	38	49	64	77	101
A	105	125	138	166	200	220	293
B	52	62	69	82	100	115	145
G	1"	1"1/4	1"1/2	2"	2"1/2	3"	4"



Bronzo
Bronze