

IF NEW CERAMIC BOWL DOES NOT HAVE A CLEARANCE NOTCH

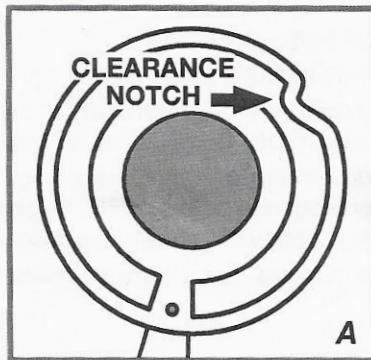
A new SeaLand ceramic toilet bowl may or may not have a clearance notch on the bottom of the bowl.

If your new bowl does not have a clearance notch (see illustration C), the base pin will need to be cut off level with the top of the base to eliminate interference during installation of the new toilet bowl (see illustration D).

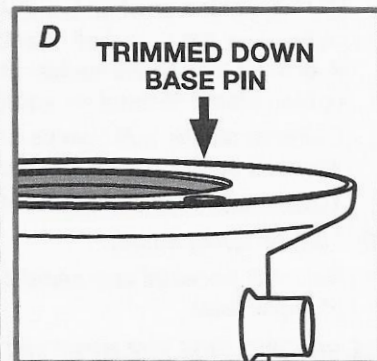
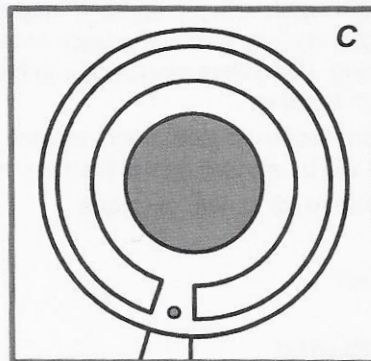
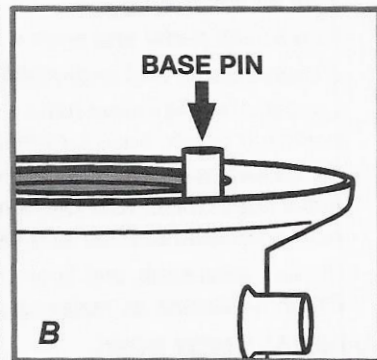
TO INSTALL NEW BOWL WITHOUT CLEARANCE NOTCH

- Put new ceramic bowl on base. Center the bowl outlet over the flush ball and make sure bowl is facing forward correctly. Reattach vacuum breaker to back of toilet, pushing it all the way into the rubber gasket. (On toilets manufactured before 10/96, tighten plastic locknut on vacuum breaker.)
- Reinstall plastic half clamps under loosened steel band, making sure tabs interlock on front of toilet. There will be a small gap at the rear of the toilet.
- Tighten stainless steel band clamp to 65 in.-lbs. of torque.
- Turn on water supply.
- Reinstall pedestal and pedal covers (if applicable).

BOTTOM OF TOILET BOWL



TOILET BASE



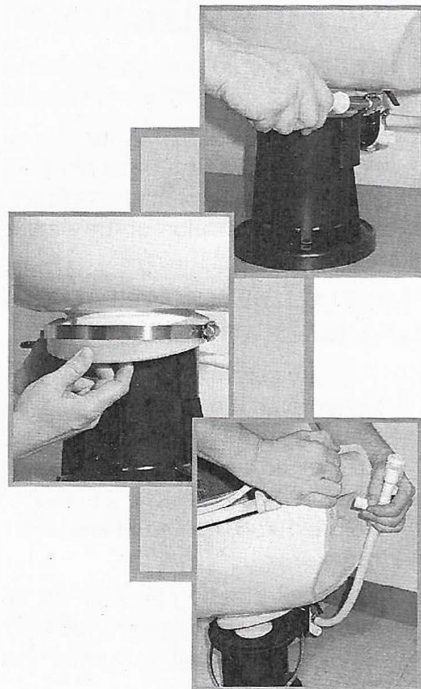
BOWL KIT INSTALLATION INSTRUCTIONS

TO REMOVE OLD BOWL

1. Turn off water supply.
2. Press flush pedal and drain water from toilet bowl.
3. Remove pedal and pedestal covers (if applicable).
4. Loosen stainless steel band and remove plastic half clamps that hold china bowl and plastic base together. **CAUTION:** Do not let china bowl fall off base.
5. Tilt china bowl forward, grasp vacuum breaker attached to back of toilet, and pull it out of toilet. (On toilets manufactured before 10/96, loosen plastic locknut on vacuum breaker and remove from china bowl.) Set toilet bowl aside.
6. Inspect bowl seals and flush ball for nicks, scratches or mineral build-up. Clean or replace as necessary.

TO INSTALL NEW BOWL

7. Put new china bowl on base. Align notch with pin on base, and center the bowl outlet over the flush ball. Reattach vacuum breaker to back of toilet, pushing it all the way into the rubber gasket. (On toilets manufactured before 10/96, tighten plastic locknut on vacuum breaker.)
8. Reinstall plastic half clamps under loosened steel band, making sure tabs interlock on front of toilet. There will be a small gap at the rear of the toilet.
9. Tighten stainless steel band clamp to 65 in.-lbs. of torque.
10. Turn on water supply.
11. Reinstall pedestal and pedal covers (if applicable).



DOMETIC

Dometic Corporation, Sanitation Division
13128 State Rt. 226, P.O. Box 38
Big Prairie, OH 44611 USA
1-800-321-9886 • Fax: 330-496-3097
www.Dometic.com