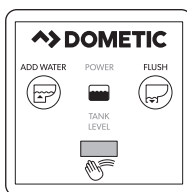
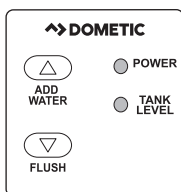
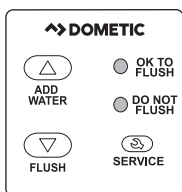


# DOMETIC

## SANITATION

### FLUSH CONTROLS



VFS, VFP, VFSHW, DFS, DFP, DFSHW

EN

#### Electronic Flush Switches

Installation and Operation Manual

## NORTH AMERICAN ADDRESS INFORMATION

### U.S.A. & CANADA

Service Office  
Dometic Corporation  
13128 St. Rte. 226  
Big Prairie, OH 44611

### Service Center & Dealer Locations

Refer to "10 Customer Service" on page 12.

Form No. 600346829 05/18 | ©2018 Dometic Corporation

**Read these instructions carefully. These instructions MUST stay with this product.**

## CONTENTS

1	Explanation of symbols and safety instructions . . . . .	3
2	General information . . . . .	4
3	Intended use . . . . .	4
4	Specifications . . . . .	5
5	Prepare for installation . . . . .	6
6	Installation . . . . .	7
7	Operation . . . . .	8
8	Wall Templates . . . . .	11
9	Disposal . . . . .	12
10	Customer Service . . . . .	12
11	Limited warranty . . . . .	12

# 1 EXPLANATION OF SYMBOLS AND SAFETY INSTRUCTIONS

This manual has safety information and instructions to help you eliminate or reduce the risk of accidents and injuries.

## 1.1 Recognize safety information



This is the safety alert symbol. It is used to alert you to potential physical injury hazards. Obey all safety messages that follow this symbol to avoid possible injury or death.

## 1.2 Understand signal words

A signal word will identify safety messages and property damage messages, and will indicate the degree or level of hazard seriousness.

**⚠ WARNING** indicates a hazardous situation that, if **not** avoided, could result in death or serious injury.

**⚠ CAUTION** indicates a hazardous situation that, if **not** avoided, could result in minor or moderate injury.

**NOTICE** is used to address practices **not** related to physical injury.



indicates additional information that is not related to physical injury.

## 1.3 Supplemental directives



Read and follow all safety information and instructions to avoid possible injury or death. Read and understand these instructions before installation or use of this product. Incorrect installation or operation of this product can lead to serious injury. The installation **must** comply with all applicable local or national codes, including the latest edition of the following standards:

### U.S.A.

- ANSI/NFPA70, National Electrical Code (NEC)
- ANSI/NFPA 1192, Recreational Vehicles Code
- ABYC guidelines for marine installations

### Canada

- CSA C22.1, Parts I & II, Canadian Electrical Code
- CSA Z240 RV Series, Recreational Vehicles

## 1.4 General safety messages

**⚠ WARNING** Failure to obey the following warnings could result in death or serious injury:

- This product must be installed and serviced by a qualified service technician.
- Do **not** modify this product in any way. Modification can be extremely hazardous.

**NOTICE** RISK OF PROPERTY DAMAGE. Failure to obey the following notices may cause damage to the toilet or toilet system.

- Only flush water, bodily wastes, and rapid-dissolving toilet tissue.
- Do **not** overfill the holding tank, or serious damage can occur to the sanitation system. Overfilling the holding tank can rupture the holding tank or release tank contents into the bilge.

## 2 GENERAL INFORMATION

Included Parts	Quantity
Flush switch assembly	1
Ethernet cable	1
Mounting screws	4

### Recommended Tools

Phillips Screwdriver	Drill
----------------------	-------

---

## 3 INTENDED USE

This flush switch is designed and intended for use only inside a boat or recreational vehicle (hereinafter referred to as "RV") for which it is supplied. Use the instructions to ensure correct installation and operation of the flush switch. Dometic accepts no liability for damage in the following cases:

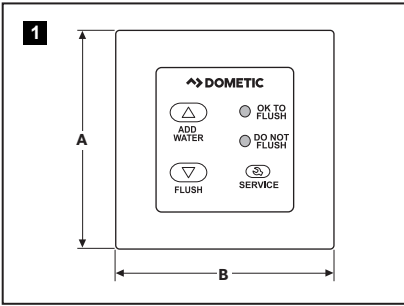
- Faulty assembly or connection.
- Damage to the product resulting from mechanical influences and excess voltage.
- Alterations to the product without expressed permission from the Dometic Corporation.
- Use for purposes other than those described in the operating manual.

Dometic Corporation reserves the right to modify appearances and specifications without notice.

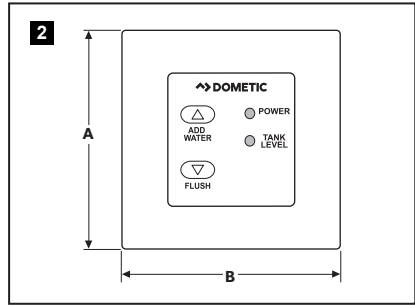
## 4 SPECIFICATIONS

### 4.1 Dimensions

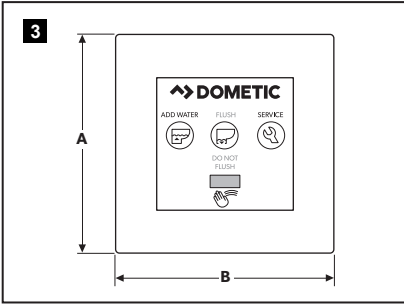
#### VFS, VFP



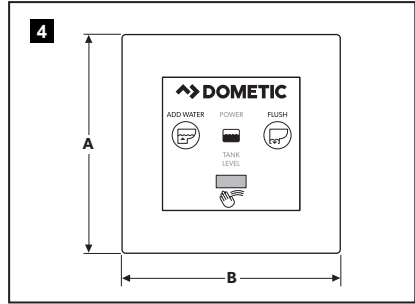
#### DFS, DFP



#### VFSHW



#### DFSHW



Dimension	VFS, VFP, and VFSHW	DFS, DFP, and DFSHW
A	3.25"	3.25"
B	3.25"	3.25"

### 4.2 Compatible models

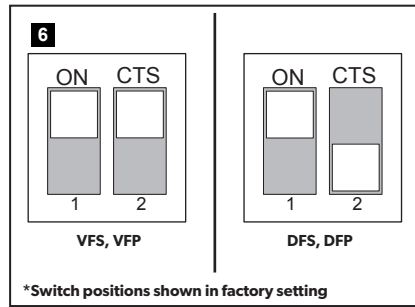
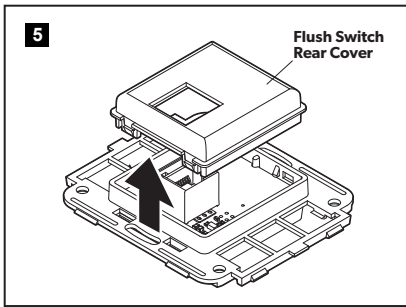
Flush Switch	Toilet Model(s)
VFS, VFP, and VFSHW	4000 series
DFS, DFP, and DFSHW	8000 and 9000 series

## 5 PREPARE FOR INSTALLATION

**⚠ WARNING** ELECTRIC SHOCK HAZARD. Disconnect electrical power before installing this product. Failure to obey this warning could result in death or serious injury.

### 5.1 Preparing the flush switch for use with older toilets

**i** VFS, VFP, DFS, and DFP flush switches have internal function switches that allow them to be used with older toilets. Use the following procedure to prepare the flush switch for use with a toilet that has a serial number containing the prefix "223" or lower.



- Remove the back cover from the switch panel using a small, flat head screw driver and locate the internal function switches.
- Push both switches to the lower position.

**i** This setting disables the backlighting of the **Service** button on VFS and VFP flush switches, since the **Service** button does not operate on older VacuFlush toilets.

- Reassemble the panel and proceed to installation.

**i** VFSHW and DFSHW flush switches are not compatible with toilets that have a serial number containing the prefix "223" or lower. In order to use VFSHW or DFSHW flush switches with an older toilet, a new circuit board must be installed.

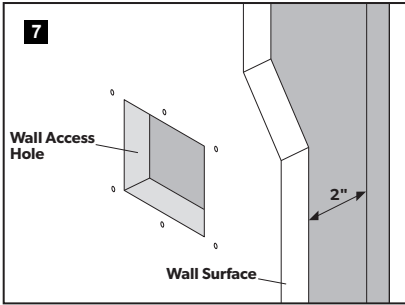
### 5.2 Planning the electrical connections

- If replacing a previous electronic flush switch, disconnect the wiring from the old switch before installing the new switch.
- Plan the flush switch location so the cable can reach the toilet circuit board. Ensure that the cable will not get wet.

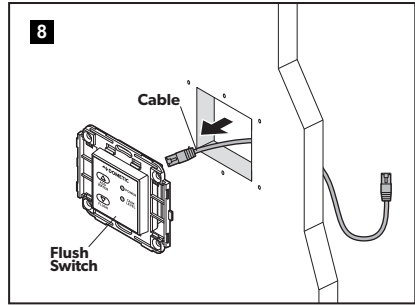
## 6 INSTALLATION

### 6.1 Installing the flush switches

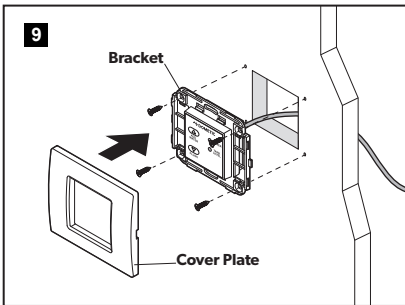
**i** There must be at least 2" of clearance behind the wall surface.



- Use the appropriate Dometic, Vimar®, or Gewiss® template to mark the center access and fastener holes.
- Cut out the square access hole.



- Route the flush switch cable from the wall access hole to the floor access hole at the toilet base. Leave about 12" of extra cable at the toilet.
- Plug the cable into the back of the flush switch panel.



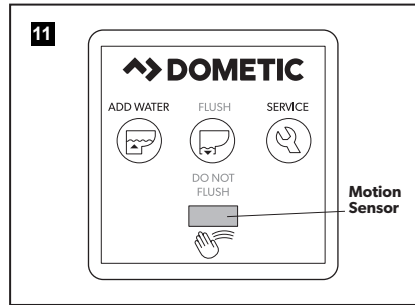
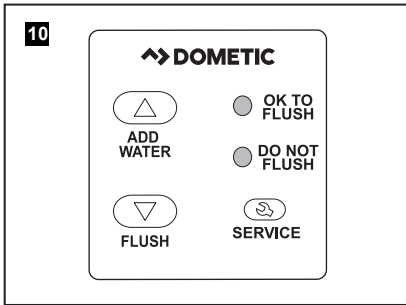
- Secure the flush switch bracket to the wall using the screws provided.
- Snap the cover plate onto the bracket.
- Connect the flush switch cable to the Ethernet port on the toilet switch board.

## 7 OPERATION

### 7.1 Operating VFS, VFP, and VFSHW (4000 Series)

#### Toilet system startup

- Turn ON electrical power and water supply to the toilet.
- Flush the toilet five times by pressing the **Flush** button or waving a hand over the motion sensor (VFSHW only). Allow each flush cycle to complete until the OK TO FLUSH light indicates the system is ready for the next flush. This ensures that flush water is present throughout the entire vacuum system.



#### Normal toilet operation (VFS, VFP, and VFSHW)

- Press and hold the **Add Water** button until the desired water level is achieved in the bowl.
- Press the **Flush** button to flush the toilet. Do **not** attempt to flush the toilet when the red DO NOT FLUSH light is ON.
- Press the **Add Water** button twice quickly to toggle through backlight modes:
  - Always ON (full brightness, default)
  - Always ON (dim) (VFSHW only)
  - Energy saving (ON when motion is sensed) (VFSHW only)
  - Always OFF

#### Using the hand wave feature (VFSHW only)

- i** The motion sensor range is 4" (10 cm).
- Hold your hand in front of the **Motion Sensor** to fill the bowl with water. Water will start to flow after three seconds. Continue to hold your hand in front of the motion sensor until the desired water level is achieved.
- Wave your hand in front of the **Motion Sensor** to flush the toilet. Do **not** attempt to flush the toilet when the red DO NOT FLUSH light is ON.

#### Understanding the indicator lights

Indicator	Light	Status
OK TO FLUSH	Steady green	The toilet is ready to flush
	Flashing green	The flush mode is changing
DO NOT FLUSH	Red	The holding tank is full*
		The toilet system is recharging the vacuum

\*Flush actuation is disabled to prevent overflowing the holding tank



### Service mode

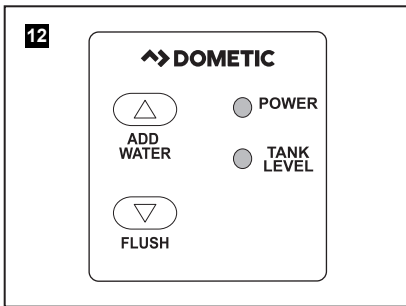
To clean the toilet bowl or seals, or to perform other servicing that requires keeping the flush ball open without running water, use the **Service** button.

- Push and hold the **Service** button for three seconds. The backlight will change to a steady flash while the toilet is in service mode.
- Perform the required servicing.
- After servicing is complete, push and hold the **Service** button for three seconds to change back to normal operation.

## 7.2 Operating the DFS, DFP, DFSHW switches (8000 and 9000 Series)

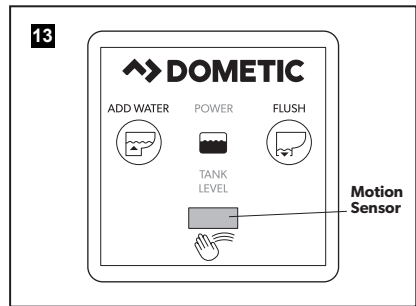
### Toilet system startup

- Turn ON electrical power and water supply to the toilet.
- Flush the toilet by pressing the **Flush** button or waving a hand over the motion sensor (DFSHW only). Allow the flush cycle to complete.
- Toss several sheets of toilet tissue into the bowl and flush the toilet again. The bowl should be completely clear.
- **9000 Series:** If the bowl is not completely clear after flushing, adjust the rim and jet water flow timing on the toilet control module to a higher setting. Repeat the flush test after each adjustment.



### Normal toilet operation (DFS, DFP, and DFSHW)

- Press and hold the **Add Water** button until the desired water level is achieved in the bowl.
- Press the **Flush** button to flush the toilet.
- Press the **Add Water** button twice quickly to toggle through backlight modes:
  - Always ON (full brightness, default)
  - Always ON (dim) (DFSHW only)
  - Energy saving (ON when motion is sensed) (DFSHW only)
  - Always OFF



### Using the hand wave feature (DFSHW)



The motion sensor range is 4" (10 cm).

- Hold your hand in front of the **Motion Sensor** to fill the bowl with water. Water will start to flow after three seconds. Continue to hold your hand in front of the motion sensor until the desired water level is achieved.
- Wave your hand in front of the **Motion Sensor** to flush the toilet.

**Understanding the indicator lights**

Indicator	Light	Status
Power on	Steady green	Electrical power to the toilet is activated
	Flashing green	Flush mode is changing
Tank level	Amber	The holding tank is 75% full
	Red	The holding tank is 100% full*

\*Flush actuation is disabled to prevent overfilling the holding tank

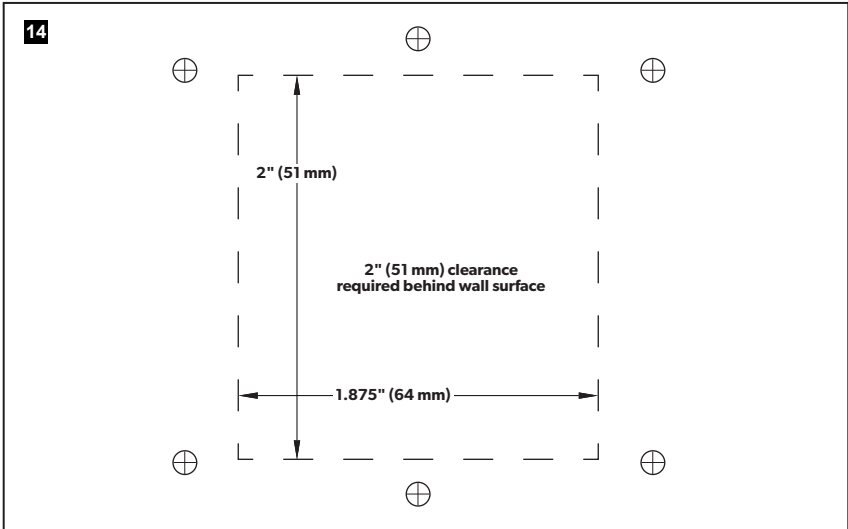
**7.3 Changing flush modes (4000 and 8000 Series)**

- Press and hold the **Flush** button for approximately five seconds to toggle between normal and dry bowl mode.
- Release the **Flush** button when the OK TO FLUSH or POWER light begins flashing.

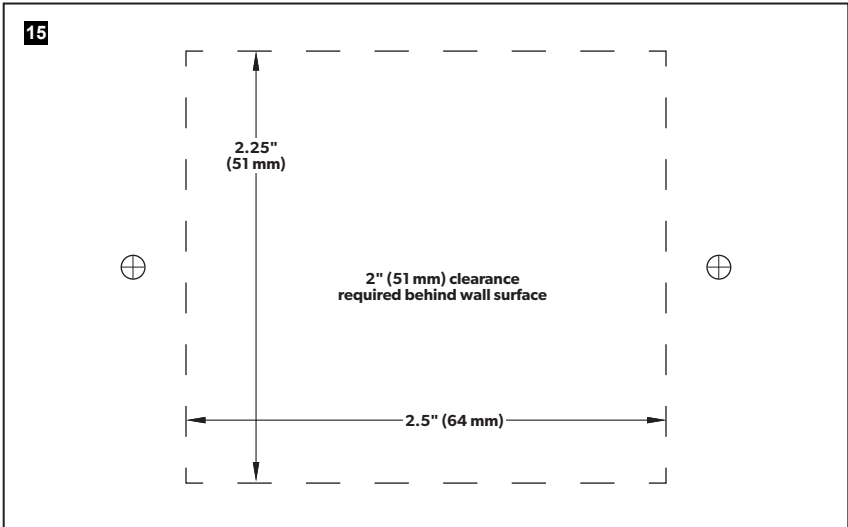
Flush modes	Action	Water used per flush (4000 Series)	Water used per flush (8000 Series)
Normal	Adds water to the bowl after every flush	1 quart (0.95 liters)	0.85 gal. (3.2 liters)
Dry bowl	Does not add water to the bowl after every flush	1 pint (0.5 liters)	.45 gal (1.7 liters)

## 8 WALL TEMPLATES

### 8.1 VFSHW, VFS, DFSHW, and DFS Wall Bracket



### 8.2 VFP and DFP Wall Bracket



## 9 DISPOSAL



Place the packaging material in the appropriate recycling waste bins, whenever possible. Consult a local recycling center or specialized dealer for details about how to dispose of the product in accordance with all applicable national and local regulations.

## 10 CUSTOMER SERVICE

For the Authorized Service Center near you, call between 8:00 a.m. and 5:00 p.m. (ET), Monday through Friday, or contact the nearest Parts Distributor.

Telephone:    1 800-321-9886    U.S.A. and Canada  
                         330-439-5550    International

Fax:                330-496-3097    U.S.A. and Canada  
                         330-439-5567    International

Website:         [www.dometic.com](http://www.dometic.com)

## 11 LIMITED WARRANTY

LIMITED WARRANTY AVAILABLE AT: [dometic.com/warranty](http://dometic.com/warranty).

IF YOU HAVE QUESTIONS, OR TO OBTAIN A COPY OF THE LIMITED WARRANTY FREE OF CHARGE, CONTACT:

DOMETIC CORPORATION  
SANITATION CUSTOMER SUPPORT CENTER  
13128 STATE ROUTE 226  
BIG PRAIRIE, OHIO, USA 44611  
+1 800-321-9886