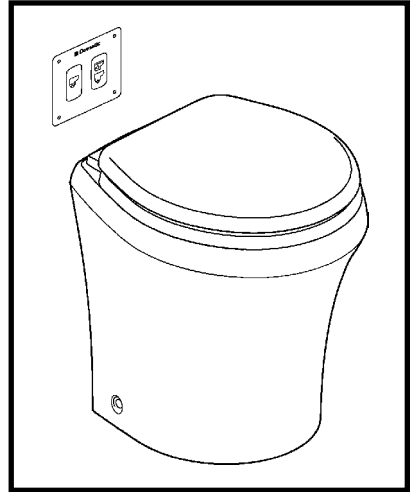


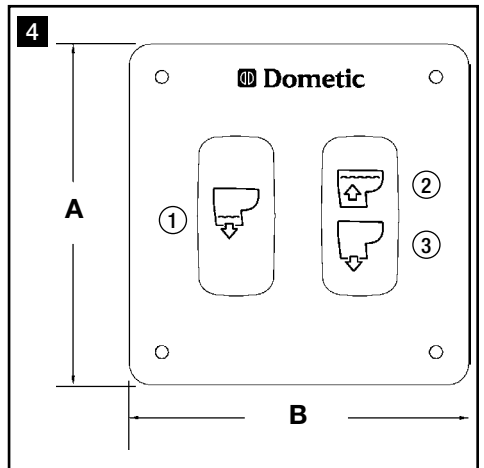
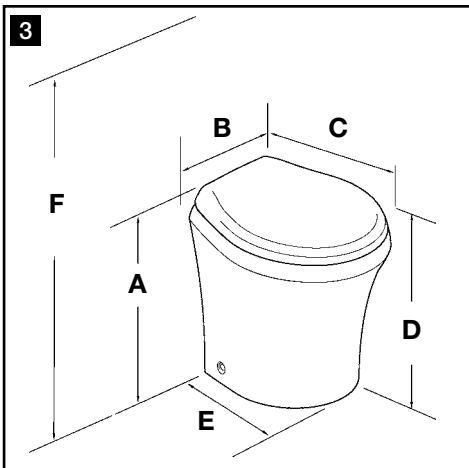
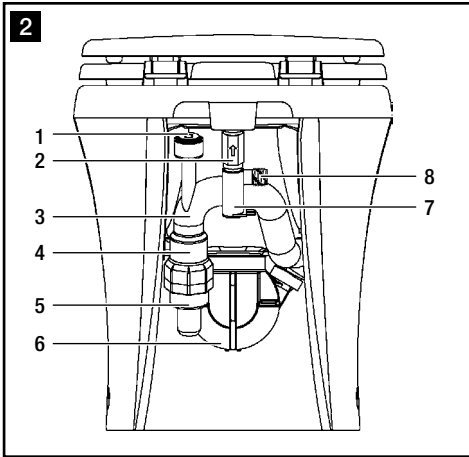
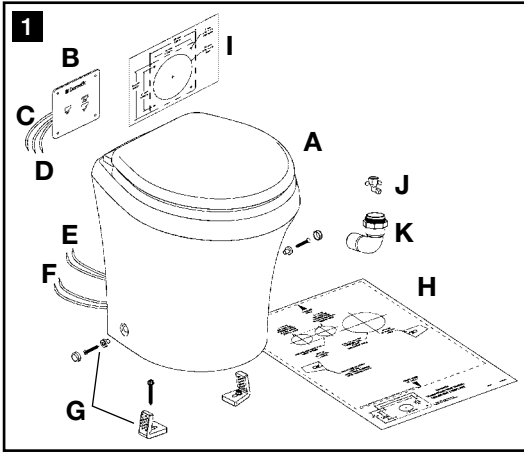


by Dometic GROUP

<b>EN</b>	<b>Macerator Toilet</b> Installation manual . . . . .	3
<b>DE</b>	<b>Elektrische Toilette</b> Installation . . . . .	14
<b>FR</b>	<b>WC dilacérateur</b> Installation . . . . .	25
<b>ES</b>	<b>Inodoro triturador</b> Instalación . . . . .	34
<b>NL</b>	<b>Toilet met versnijdingspomp</b> Installatie . . . . .	43
<b>IT</b>	<b>WC di macerazione</b> Installazione . . . . .	52
<b>FI</b>	<b>Silppuripumppu-wc</b> Asennus . . . . .	61
<b>SV</b>	<b>Macerator-toalett</b> Installation . . . . .	70
<b>DA</b>	<b>Findelingstoilet</b> Installation . . . . .	79
<b>NO</b>	<b>Macerator-toalett</b> Montering . . . . .	88



## 8100 Series MasterFlush™ Toilets



## Table of contents

EN

1	Notes on using the manual	3
2	General safety instructions	3 - 4
3	Components	5
4	Specifications	6
5	Installation	7 - 12
6	Customer service	13

## 1 Notes on using the manual



### Caution!

**Safety Instruction:** Failure to observe this instruction can cause material damage and impair the function of the device.



### Note

Supplementary information for operating the device.

**fig. 1 A, page 2:** This refers to an element in an illustration. In this example, item A in figure 1 on page 2.

## 2 General safety instructions

The manufacturer will not be held liable for claims for damage resulting from the following:

- Faulty assembly or connection
- Damage to the unit from mechanical influences, misuse or abuse
- Alterations to the unit without express written permission from the manufacturer
- Use for purposes other than those described in the operating manual

### 2.1 Warnings – marine applications

The following statements must be read and understood before installing, servicing and/or operating this product on a boat. Modification of this product may result in property damage.

Dometic recommends that a qualified marine technician or electrician install or service this product. Equipment damage, injury to personnel or death could result from improper installation. DOMETIC ACCEPTS NO RESPONSIBILITY OR LIABILITY FOR DAMAGE TO EQUIPMENT, OR INJURY OR DEATH TO PERSONNEL THAT MAY RESULT FROM IMPROPER INSTALLATION, SERVICE OR OPERATION OF THIS PRODUCT.



### Caution! Hazard of Flooding

If the toilet is connected to ANY through-the-hull fittings, properly installed seacocks MUST be installed in all piping connected to through-the-hull fittings. Seacocks MUST be easily accessible to all users of the toilet or secondary valves fitted in hoses where they are easily accessible. All valves MUST be full bore valves and of marine quality. Screw-to-close gate valves are not recommended. Failure to do so can result in flooding which can cause loss of property and life.



**Caution! Hazard of Flooding**

If toilet is connected to ANY through-the-hull fittings, ALL flexible hoses must be of marine sanitation quality and must be secured to ANY fittings (such as those at seacock, vented loop or toilet) with two stainless steel, worm-drive hose band clamps at each connection. Connections MUST be checked frequently for integrity. Failure to comply can result in flooding which can cause loss of property and life.

**Caution! Hazard of Flooding**

If toilet rim is below the waterline at ANY time (during any conditions of heel, load or trim) and is connected to ANY through-the-hull fittings, properly positioned ventilated (vented) loops MUST be installed in intake\* or discharge piping to prevent potential back siphonage of seawater into the boat. Failure to do so can result in flooding which can cause loss of property and life.



*\* if connected to raw water*

**Caution! Hazard of Flooding**

If toilet uses raw water for flushing at ANY time, a raw water pump controlled by an automatically operating demand switch MUST NOT be installed. If the onboard water valve or any plumbing connections were to leak, the automatically operated pump would start and could flood the boat. Failure to comply can cause loss of property and life.

**Caution! Hazard of Flooding**

Before beginning any work on this product, be sure that all electrical power to the unit has been turned off and that seacocks are in the CLOSED or OFF position. Failure to do so can result in flooding which can cause loss of property and life.

**Caution! Hazard of Shock or Fire**

Always use recommended fuse, circuit breaker and wire size. Failure to do so can result in fire that can cause the loss of property and life.

**Caution!**

Overfilling the holding tank can create serious damage to the sanitation system, such as rupturing the holding tank and releasing tank contents into the bilge. To prevent this possibility, Dometic recommends using the "full" tank shut-down relay in the toilet's electronic control module. The "full" signal from the holding tank can be generated by an optional Dometic DTM01C tank monitor or DTM04 four-level tank monitor system.

### 3 Components

(fig. **1**, page 2)

Ref.	Description
A	Macerator toilet
B	Dometic flush switch
C	Electrical input wire
D	Output wires (2) to toilet
E	Input wires (2) from flush switch
F	Output wires (2) to ground connection
G	Floor mounting hardware kit
H	Floor mounting template
I	Flush switch wall template
J	Water valve adapter
K	Discharge elbow fitting

(fig. **2**, page 2)

Ref.	Description
1	Anti-siphon valve
2	Check valve
3	Discharge loop outlet
4	Discharge adapter fitting
5	Discharge hose fitting
6	Macerator pump
7	Water valve
8	Water valve fitting - 0.5 in. NPT
Refer to complete parts list (packed separately) for additional information.	

## 4 Specifications

### 4.1 Materials

Toilet: vitreous ceramic

Macerator pump body: glass-filled polypropylene

Dometic flush switch panel: powder-coated aluminum

### 4.2 Minimum System Requirements

Electrical	Circuit breaker	20 amps/12 V DC; 15 amps/24 V DC
	Wiring	12 ga. (up to 20 ft./6.1 m from breaker)
Water Supply	Fitting	0.5 in. (13 mm) ID flexible water line
	Flow rate	2.0 gpm/7.6 lpm minimum
Discharge	Inside diameter	1.5 in./38 mm or 1 in./25 mm
	Horizontal run	98 ft./30 m maximum
	Vertical run	9.8 ft./3 m maximum

Specifications are subject to change without notice.

### 4.3 Dimensions (fig. 3, page 2)

#### Standard-height models

Ref.	Dimension
A	18.375 in. / 467 mm
B	14.75 in. / 375 mm
C	18.375 in. / 467 mm
D	17 in. / 432 mm - seat height
E	14.875 in. / 378 mm
F	32 in. / 813 mm - seat lid up

#### Low-profile models

Ref.	Dimension
A	15 in. / 381 mm
B	14.75 in. / 375 mm
C	18.375 in. / 467 mm
D	13.75 in. / 349 mm - seat height
E	14 in. / 356 mm
F	28 in. / 711 mm - seat lid up

#### Dometic flush switch panel

(fig. 4, page 2)

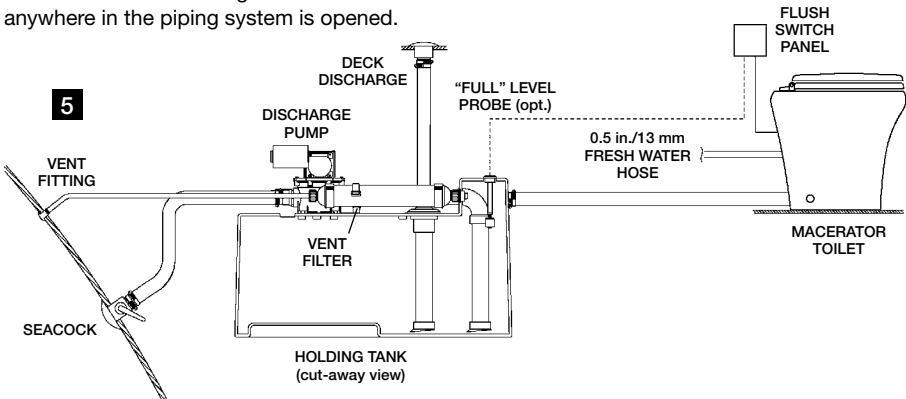
Ref.	Dimension
A	3.25 in. / 83 mm
B	3.25 in. / 83 mm

## 5 Installation

### 5.1 Fresh water system layout

Dometic macerator toilets can operate with an onboard pressurized freshwater system with a minimum flow rate of 2.0 gpm (7.6 lpm) at the toilet. Onboard fresh-water demand systems include a water pump that automatically draws water from a water storage tank when a valve anywhere in the piping system is opened.

Dometic 8100 series toilets are equipped with an electrically operated water valve and an in-line check valve to prevent contamination of onboard potable supplies.

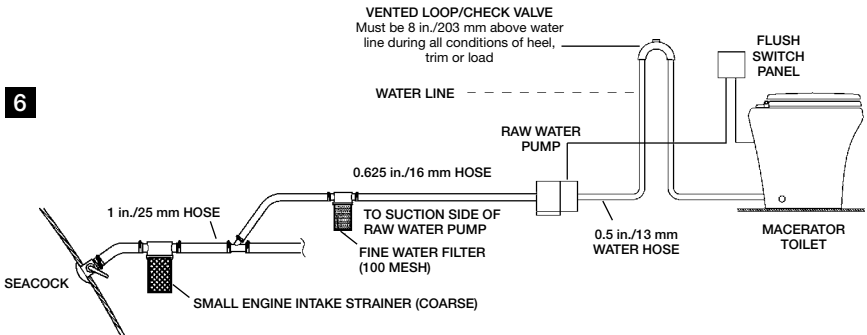


#### Note

Use cold water only. Include shut-off valve in water line for maintenance purposes.

### 5.2 Raw water system layout

Dometic macerator toilets can flush on seawater but require a separate pump for this purpose. The pump is activated by the signal from the toilet's flush switch. If the raw water pump draws more than 18 amps of current, a 12 or 24 V DC electrical relay must be installed.



#### Notes

Use cold water only. Include shut-off valve in water line for maintenance purposes.

Use primary and secondary raw water filters.

Raw water pump **MUST NOT** be demand-type. Pump is controlled by flush switch.

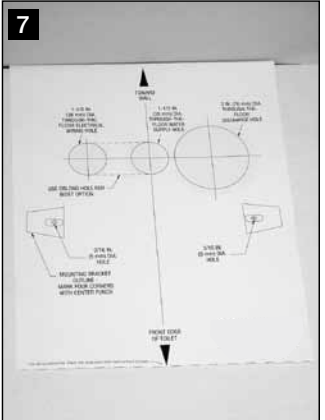
Install vented loop as shown. It must be equipped with integral check valve that permits air into line to prevent siphoning.

**Caution! Hazard of Flooding**

If toilet uses raw water for flushing at ANY time, a raw water pump controlled by an automatically operating demand switch **MUST NOT** be installed. If the onboard water valve or any plumbing connections were to leak, the automatically operated pump would start and could flood the boat. Failure to comply with this warning can cause loss of property and life.

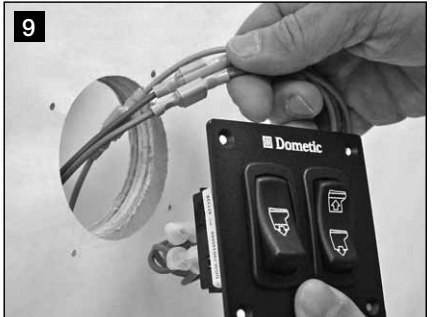
**5.3 Toilet system with through-the-floor connections**

1. Place floor mounting template in desired location (fig. **7**). For optimal user comfort, make sure walls or other interior fixtures are at least 11 in. (279 mm) away from centerline of template.
2. Center punch all holes and mounting bracket corners through template.
3. Remove template from floor. Drill all access and fastener holes as indicated on template. **DO NOT** drill mounting bracket corners.
4. With long hex-head screws from toilet floor bracket kit, fasten floor brackets with 3/8 in. (10 mm) socket wrench, using corner marks as guides (fig. **8**).

**Note**

Do not completely tighten hex-head screws to floor – allow brackets to slightly slide. Brackets will tighten when fastening toilet to brackets.

5. Plan flush switch panel location so that electrical connections and wires cannot get wet.
6. Use MasterFlush 8100 series toilet wall switch template to mark location of fastener and access holes for wall switch panel. Drill 2.75 in. (70 mm) diameter hole (fig. **9**).
7. With electrical power off, route 12-gauge or larger stranded copper wire (according ABYC recommendations) from circuit breaker or fuse to wall switch, and from wall switch to toilet. Connect wires to appropriate leads attached to back of wall switch panel with crimp-style wire connectors. (For complete wiring options, refer to wiring diagrams (pp. 11-12).
8. Fasten wall switch panel to wall (fig. **9**).
9. Route wall switch panel wiring to toilet through access hole in floor. Route ground connection wire to toilet. (Provide extra wiring at toilet to easily remove toilet from mounting brackets for future maintenance or service.) Make final wiring connections.
10. Route water supply and discharge plumbing to toilet according to system requirements (Section 4.2). Provide extra water supply and discharge hose lengths to assure easy connection to toilet (fig. **13**, page 9).





11. Connect water valve adapter to flexible water line with hose clamp (fig. **10**).
12. Securely connect water valve adapter to water valve fitting (fig. **11**).
13. Loosen band clamp on discharge loop outlet and remove discharge adapter fitting/hose fitting assembly (fig. **12**).



14. Lubricate discharge fitting assembly and inside end of discharge hose with liquid dishwashing soap. Push discharge fitting assembly into discharge hose and connect with two hose clamps. Be sure to position hose clamp screws 180° apart from each other (fig. **13**). Place toilet near access holes.



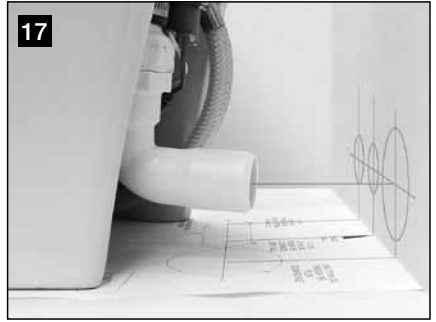
15. Connect flush switch panel wires to toilet wires (fig. **14**) according to appropriate wiring diagram (pp. 11-12). Connect ground wires from toilet as indicated.



16. Position toilet over floor brackets and tilt toilet up from back. Push discharge assembly fitting and hose up into discharge loop outlet, and tighten clamp (fig. **14**).
17. Lower toilet down so that floor brackets show through fastener holes (fig. **15**).
18. Turn on water supply and electrical power to toilet, and check for leaks. Press "Flush" switch (fig. **4** 1, page 2). If leak occurs, tighten connection.
19. Insert plastic adapters from Floor Bracket Kit into fastener holes. Fasten toilet to brackets with short screws provided in kit.
20. Cover floor bracket screws with plastic covers (fig. **16**).

#### 5.4 Toilet system with through-the-wall connections

1. To route wiring and plumbing connections through the wall, use floor template to locate the vertical centerline of each hole.
2. Loosen band clamp on discharge loop outlet and remove straight discharge hose fitting (fig. 2 5, p. 2) from discharge adapter fitting (fig. 2 4, p. 2).
3. Attach discharge elbow fitting (fig. 1 K, p. 2) to discharge adapter fitting.
4. Place toilet in proper position and mark horizontal centerlines (fig. 17).
5. Drill holes sizes as indicated on template.
6. Route wiring and plumbing through holes, then follow toilet installation instructions beginning at Section 5.3, step 10.



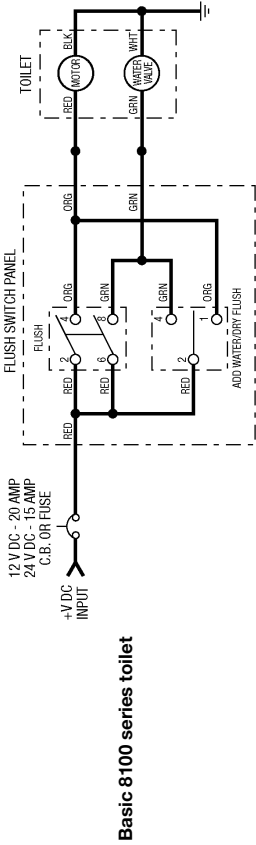
#### 5.5 Toilet system with “full tank” shut-down relay and tank monitor system

Dometic macerator toilets will operate with Dometic’s DTM01C Tank Monitor and DTM04 Four-level Tank Monitor systems (available separately). In these installations, the 8100 series toilet receives electrical power through the “full tank” shut-down relay (see Wiring diagrams (pages 11-12.)

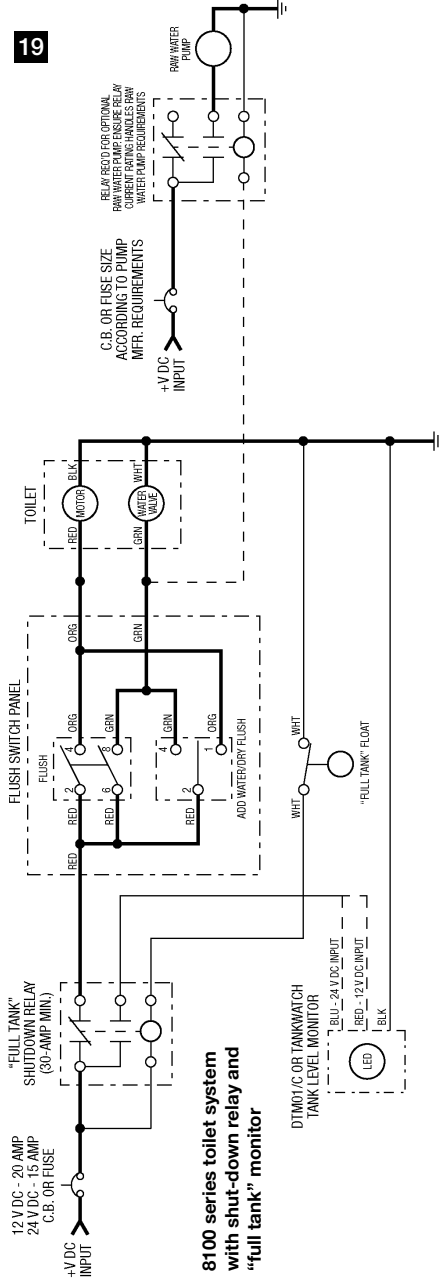
1. Route input power wires from “full tank” shut-down relay (previously installed according to tank monitor system instructions) to 8100 series Flush Switch Panel.
2. Follow toilet installation instructions beginning at Section 5.3, step 10.

5.6 Wiring schematics

18



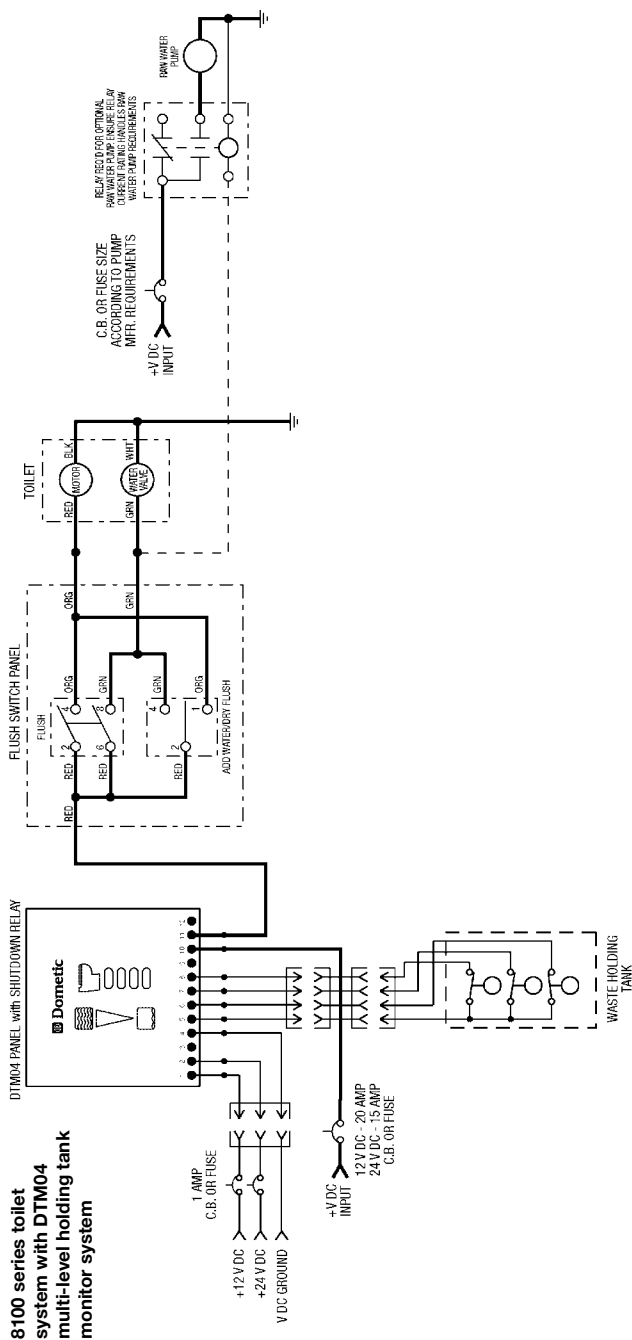
19



**Caution - Hazard of Shock or Fire**  
Always use recommended fuse, circuit breaker and wire size. Failure to do so can cause the loss of property and life.



**Note**  
Each toilet must have its own circuit breaker or fuse. All installation factors must be in accordance with ABYC/ISO electrical standards. Always use crimp-style wire connections. Do not use wire nuts (they corrode).



**8100 series toilet system with DTM04 multi-level holding tank monitor system**



**Caution - Hazard of Shock or Fire**  
Always use recommended fuse, circuit breaker and wire size. Failure to do so can cause the loss of property and life.



**Note**  
Each toilet must have its own circuit breaker or fuse.  
All installation factors must be in accordance with ABYC/ISO electrical standards.  
Always use crimp-style wire connections. Do not use wire nuts (they corrode).

## 6 Customer service

There is a strong, worldwide network to assist in servicing and maintaining your sanitation system. For the Authorized Service Center near you, please call from 8:00 a.m. to 5:00 p.m. (ET) Monday through Friday.

You may also contact or have your local dealer contact the Parts Distributor nearest you for quick response to your replacement parts needs. They carry a complete inventory for the Dometic product line.

Telephone:	1 800-321-9886	U.S.A. and Canada
	330-496-3211	International
Fax:	330-496-3097	U.S.A. and Canada
	330-496-3220	International
Web site:	<a href="http://www.Dometic.com">http://www.Dometic.com</a>	

## Inhalt

DE

1	Hinweise zur Benutzung der Einbauanleitung	14
2	Grundlegende Sicherheitshinweise	14 - 15
3	Komponenten	16
4	Spezifikationen	17
5	Installation	18 - 23
6	Kundendienst	24

## 1 Hinweise zur Benutzung der Einbauanleitung



### Achtung!

**Sicherheitshinweis:** Nichtbeachtung kann zu Materialschäden führen und die Funktion des Gerätes beeinträchtigen.



### Hinweis

Ergänzende Informationen zur Bedienung des Gerätes.

**Abb. 1 A, Seite 2** : Bezeichnet ein Element in einer Illustration. In diesem Beispiel Element A in Abbildung 1 auf Seite 2.

## 2 Grundlegende Sicherheitshinweise

Der Hersteller übernimmt keine Haftung für Schäden aufgrund von

- Montage- oder Anschlussfehlern
- Schäden am Gerät durch mechanische Einwirkung
- Modifikationen am Gerät ohne ausdrückliche Genehmigung des Herstellers
- Verwendung für andere als die in der Anleitung beschriebenen Zwecke

### 2.1 Warnungen – Einsatz auf Booten

Vor der Installation, Wartung und dem Einsatz auf einem Boot müssen die folgenden Anweisungen gelesen und verstanden werden. Werden Änderungen an diesem Produkt vorgenommen, kann dies zu Sachschäden führen.

Dometic empfiehlt, die Installation und Wartung dieses Produkts von einem qualifizierten Schiffstechniker oder Elektriker vornehmen zu lassen. Eine unsachgemäße Installation kann zu Sachschäden, Verletzungen oder zum Tod führen. DOMETIC ÜBERNIMMT KEINERLEI VERANTWORTUNG ODER HAFTUNG FÜR SACHSCHÄDEN SOWIE VERLETZUNGEN ODER DEN TOD VON PERSONEN INFOLGE EINER UNSACHGEMÄSSEN INSTALLATION, WARTUNG ODER NUTZUNG DIESES PRODUKTS.



### Achtung! Überflutungsgefahr

Wenn das WC über Borddurchlässe angeschlossen ist, müssen in alle Rohrleitungen, die mit Borddurchlässen verbunden sind, Seeventile eingebaut werden. Die Seeventile MÜSSEN für alle Benutzer des WCs leicht zugänglich sein, oder es müssen leicht zugängliche Zweitventile mit entsprechenden Verbindungsschläuchen installiert werden. Bei allen Ventilen muss es sich um seewasserfeste Ventile mit voller Bohrung handeln. Schieberventile mit Schraubverschluss werden nicht empfohlen. Andernfalls kann es zu Überflutungen kommen, wobei die Gefahr von Unfällen mit Todesfolge oder Sachschäden besteht.



**Achtung! Überflutungsgefahr**

Wenn das WC über IRGENDWELCHE Borddurchlässe angeschlossen ist, müssen ALLE Schläuche seefest und für Sanitäranlagen geeignet und an ALLEN Anschlüssen (z. B. am Seeventil, am Entlüftungsbogen oder am WC) mit zwei Edelstahlschellen mit Schneckenengwinde befestigt sein. Die Verbindungen MÜSSEN regelmäßig auf ihre Unversehrtheit überprüft werden. Andernfalls kann es zu Überflutungen kommen, wobei die Gefahr von Unfällen mit Todesfolge oder Sachschäden besteht.

**Achtung! Überflutungsgefahr**

Wenn sich der Rand des WCs JEMALS unterhalb der Wasserlinie befindet (bei Krängung, Beladung oder Trimmen) und über IRGENDWELCHE Borddurchlässe angeschlossen ist, MÜSSEN in die Einlass\*- oder Auslassleitung ordnungsgemäß angebrachte Entlüftungsbögen installiert werden, um einen Rückfluss des Seewassers in das Boot zu verhindern. Andernfalls kann es zu Überflutungen kommen, wobei die Gefahr von Unfällen mit Todesfolge oder Sachschäden besteht.



*\* Wenn eine Verbindung zum Rohwasser besteht.*

**Achtung! Überflutungsgefahr**

Wenn JEMALS Rohwasser zum Spülen des WCs verwendet wird, DARF KEINE Rohwasserpumpe installiert werden, die durch einen automatischen, bei Bedarf aktivierten Schalter gesteuert wird. Im Fall eines Lecks des an Bord befindlichen Wasserventils oder einer Leitungsverbindung würde die automatisch gesteuerte Pumpe starten und könnte das Boot überfluten. Andernfalls besteht die Gefahr von Unfällen mit Todesfolge oder Sachschäden.

**Achtung! Überflutungsgefahr**

Stellen Sie vor den Arbeiten an diesem Produkt sicher, dass die Stromversorgung des WCs abgeschaltet ist und die Seeventile in der Stellung GESCHLOSSEN bzw. AUS stehen. Andernfalls kann es zu Überflutungen kommen, wobei die Gefahr von Unfällen mit Todesfolge oder Sachschäden besteht.

**Achtung! Kurzschluss- und Brandgefahr**

Verwenden Sie immer eine Sicherung, einen Schutzschalter und Leitungen der vorgeschriebenen Größe. Andernfalls besteht die Gefahr von Unfällen mit Todesfolge oder Sachschäden.

**Achtung!**

Das Überfüllen des Schmutzwassertanks kann gravierende Schäden an der Sanitäranlage nach sich ziehen, wie z. B. einen Bruch des Tanks, wodurch dessen Inhalt in die Bilge fließen könnte. Um dies zu vermeiden, empfiehlt Dometic, das Abschaltrelais für „Tank voll“ im elektronischen Steuermodul des WCs zu nutzen. Das „Voll“-Signal vom Schmutzwassertank kann von einer als Zubehör erhältlichen Dometic DTM01C Tanküberwachung oder einer vierstufigen Tanküberwachung DTM04 erzeugt werden.

### 3 Komponenten

(Abb. **1**, Seite 2)

Bezeichnung	Beschreibung
A	Elektrische Toilette
B	Dometic-Spültaste
C	Elektrische Eingangsleitung
D	Ausgangsleitungen (2) zum WC
E	Eingangsleitungen (2) von der Spültaste
F	Ausgangsleitungen (2) zum Masseanschluss
G	Montagesatz für die Fußbodenbefestigung
H	Schablone für die Fußbodenbefestigung
I	Schablone für die Wandbefestigung der Spültaste
J	Adapter für das Wasserventil
K	Abflusskniestück

(Abb. **2**, Seite 2)

Bezeichnung	Beschreibung
1	Anti-Siphon-Ventil
2	Rücklaufventil
3	Auslass des Abflussbogens
4	Anschluss des Abflussadapters
5	Anschluss des Abflussschlauchs
6	Mazerpumpe
7	Wasserventil
8	Wasserleitung – 0,5 Zoll NPT-Anschluss
Weitere Informationen finden Sie in der vollständigen Stückliste (gesondert verpackt).	



## 4 Spezifikationen

### 4.1 Materialien

WC: Glaskeramik

Dometic-Bedientafel: pulverbeschichtetes Aluminium

Gehäuse der Zerhackerpumpe :  
glasfaserverstärktes Polypropylen

### 4.2 Mindest-Systemanforderungen

Elektrisch	Schutzschalter	20 A / 12 V GS; 15 A / 24 V GS
	Verdrahtung	Gr. 12 (bis zu 6,1 m / 20 Fuß vom Schutzschalter)
Wasserver-sorgung	Anschluss	Wasserschlauch 13 mm Innendurchm
	Durchflussrate	mind. 7,6 l/min (2,0 Gal./min)
Ablasslei-tung	Innendurchmesser	Mind. 38 mm (1,5 Zoll) oder 25 mm (1 Zoll)
	Horizontalverlauf	Max. 30 m / 98 Fuß
	Vertikalverlauf	Max. 3 m / 9,8 Fuß

Änderungen der technischen Daten vorbehalten.

### 4.3 Abmessungen (Abb. 3, Seite 2)

#### Ausführungen mit Standardhöhe

Ref.	Abmessungen
A	467 mm / 18,375 Zoll
B	375 mm / 14,75 Zoll
C	467 mm / 18,375 Zoll
D	432 mm / 17 Zoll – Sitzhöhe
E	378 mm / 14,875 Zoll
F	813 mm / 32 Zoll – bei geöffnetem Deckel

#### Niedrige Ausführungen

Ref.	Abmessungen
A	381 mm / 15 Zoll
B	375 mm / 14,75 Zoll
C	467 mm / 18,375 Zoll
D	349 mm / 13,75 Zoll – Sitzhöhe
E	356 mm / 14 Zoll
F	711 mm / 28 Zoll – bei geöffnetem Deckel

### Dometic-Bedientafel

(Abb. 4, Seite 2)

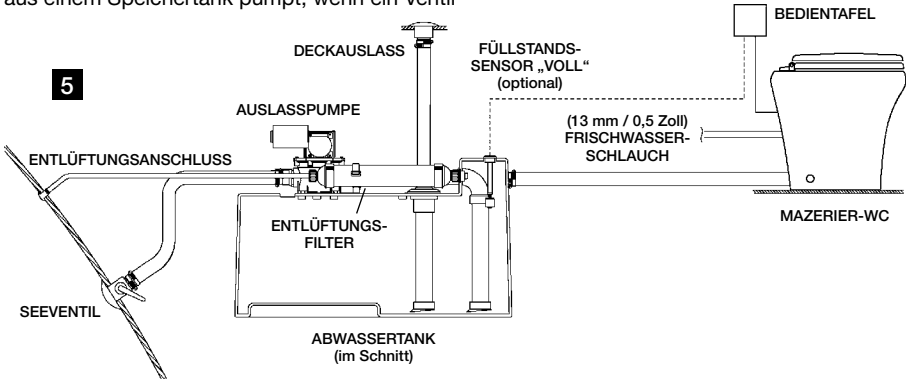
Ref.	Abmessungen
A	83 mm / 3,25 Zoll
B	83 mm / 3,25 Zoll

## 5 Installation

### 5.1 Frischwasseranlage

Die Elektrischen Toiletten von Dometic können mit einer unter Druck stehenden Bordfrischwasseranlage mit einer Mindestdurchflussrate von 7,6 l/min an der Toilette arbeiten. Zu den bei Bedarf aktivierten Bordfrischwasseranlagen gehört eine Wasserpumpe, die automatisch Wasser aus einem Speichertank pumpt, wenn ein Ventil

in der Anlage geöffnet wird. Die Dometic-WCs der Serie 8100 sind mit einem elektrisch betriebenen Wasserventil und einem Inline-Rücklaufventil ausgerüstet, um die Verunreinigung der Bordtrinkwasserversorgung zu vermeiden.

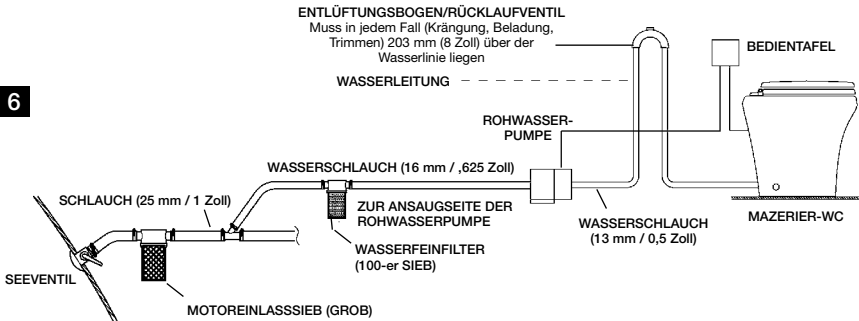


#### Hinweis

Verwenden Sie nur kaltes Wasser. Bauen Sie zu Wartungszwecken ein Absperrventil in die Wasserleitung ein.

### 5.2 Rohwasseranlage

Die Dometic-Mazerier-WCs können mit Seewasser spülen, benötigen dazu aber eine gesonderte Pumpe. Die Pumpe wird durch die Spültaste gesteuert. Wenn die Rohwasserpumpe einen Strom von mehr als 18 A verbraucht, muss ein Relais (12 oder 24 V GS) eingebaut werden.



#### Hinweise

Verwenden Sie nur kaltes Wasser. Bauen Sie zu Wartungszwecken ein Absperrventil in die Wasserleitung ein. Verwenden Sie primäre und sekundäre Rohwasserfilter.

Die Rohwasserpumpe DARF NICHT automatisch bei Bedarf anlaufen. Die Pumpe wird von der Spültaste gesteuert. Installieren Sie den Entlüftungsbogen wie gezeigt. Er muss mit einem integrierten Rücklaufventil versehen sein, das Luft in die Leitung lässt, um den Wasserrückfluss zu verhindern.



### Achtung! Überflutungsgefahr

Wenn JEMALS Rohwasser zum Spülen des WCs verwendet wird, DARF KEINE Rohwasserpumpe installiert werden, die durch einen automatischen, bei Bedarf aktivierten Schalter gesteuert wird. Im Fall eines Lecks des an Bord befindlichen Wasserventils oder einer Leitungsverbindung würde die automatisch gesteuerte Pumpe starten und könnte das Boot überfluten. Wird diese Warnung nicht beachtet, besteht die Gefahr von Unfällen mit Todesfolge oder Sachschäden.



## 5.3 WC-Anlage mit durch den Fußboden geführten Verbindungen

1. Legen Sie die Schablone für die Fußbodenbefestigung auf die gewünschte Stelle (Abb. **7**, Seite 8). Achten Sie darauf, dass Wände oder andere feste Einrichtungen mindestens 279 mm Abstand von der Mittellinie der Schablone haben, um ausreichend Platz zur Verfügung zu stellen.
2. Markieren Sie alle Bohrungen und die Ecken der Befestigungswinkel anhand der Schablone.
3. Nehmen Sie die Schablone vom Fußboden. Bohren Sie alle Zugangs- und Befestigungsöffnungen gemäß der Schablone. Bohren Sie NICHT die Ecken der Befestigungswinkel.
4. Befestigen Sie die Fußbodenwinkel mit den langen Sechskantschrauben aus dem Befestigungssatz mit einem 10-mm-Steckschlüssel (3/8 Zoll), mit den Eckmarkierungen als Anhaltspunkte (Abb. **8**, Seite 8).



### Hinweis

Ziehen Sie die Sechskantschrauben nur so weit fest, dass die Winkel noch etwas beweglich bleiben. Die Winkel werden durch das Anbringen des WCs vollständig befestigt.

5. Ordnen Sie die Bedientafel so an, dass die elektrischen Anschlüsse und Leitungen nicht nass werden können.
6. Markieren Sie die Befestigungen und Öffnungen für die Bedientafel des WCs MasterFlush der Serie 8100 mithilfe der Schablone. Bohren Sie eine Öffnung von 70 mm Durchmesser (Abb. **9**, Seite 8).
7. Vergewissern Sie sich, dass der Strom abgeschaltet ist, und verlegen Sie eine Leitung aus Kupferlitze (mindestens Gr. 14) vom Schutzschalter bzw. von der Sicherung zur Bedientafel und von dort zum WC. Verbinden Sie die Leitungen mit den an der Rückseite der Bedientafel befindlichen Anschlüssen durch Quetschverbinder. (Vollständige Hinweise zur Verdrahtung finden Sie in den Schaltplänen, Seiten 21-22).
8. Befestigen Sie die Bedientafel an der Wand (Abb. **9**, Seite 8).
9. Führen Sie das Kabel von der Bedientafel durch die Zugangsöffnung im Fußboden zum WC. Führen Sie die Masseverbindung zum WC. (Lassen Sie die Leitung etwas länger, um das WC zur Wartung oder Reparatur leichter von den Halterungen nehmen zu können.) Stellen Sie die abschließenden Verbindungen her.
10. Führen Sie die Wasserzuleitung und die Ableitung gemäß den Systemanforderungen zum WC (Abschnitt 4.2). Lassen Sie die Schläuche der Wasserzu- und -ableitung etwas länger, um den problemlosen Anschluss an das WC zu ermöglichen (Abb. **13**, Seite 9).
11. Verbinden Sie den Wasserschlauch mithilfe einer Schlauchschelle mit dem Adapter des Wasserventils (Abb. **10**, Seite 9).
12. Verbinden Sie den Adapter des Wasserventils sicher mit dem Wasserventilanschluss (Abb. **11**, Seite 9).
13. Lösen Sie die Schelle am Auslass des Abflussbogens und entfernen Sie den Abflussadapter/Schlauchanschluss (Abb. **12**, Seite 9).

14. Tragen Sie etwas Geschirrspülmittel auf den Abflussanschluss und das Innere des Abflussschlauchs auf. Schieben Sie den Abflussanschluss in den Abflussschlauch ein und befestigen Sie diesen mit zwei Schellen. Achten Sie darauf, dass die Schellen in einem Winkel von 180° zueinander stehen (Abb. **13**, Seite 9). Stellen Sie das WC in der Nähe der Zugangsöffnungen auf.
15. Verbinden Sie die Leitungen von der Bedientafel mit den WC-Leitungen (Abb. **14**, Seite 9) anhand des entsprechenden Schaltplans (Seiten 21-22). Schließen Sie die Masseleitungen vom WC wie angegeben an.
16. Stellen Sie das WC über die Befestigungswinkel und heben Sie es hinten etwas an. Schieben Sie den Abflussanschluss mit dem Schlauch in den Auslass des Abflussbogens und befestigen Sie die Schelle (Abb **14**, Seite 9).
17. Senken Sie das WC ab, sodass die Befestigungswinkel durch die entsprechenden Bohrungen reichen (Abb. **15**, Seite 9).
18. Drehen Sie die Wasserzufuhr auf, schalten Sie die Stromversorgung zum WC ein, und überprüfen Sie die Anlage auf Dichtheit. Drücken Sie die Spültaste (Abb. **4** 1, Seite 2). Sollten Lecks auftreten, ziehen Sie die entsprechende Verbindung nach.
19. Setzen Sie die Plastikadapter aus dem Fußboden-Befestigungssatz in die Befestigungsbohrungen ein. Befestigen Sie das WC mit den bereitgestellten kurzen Schrauben an den Winkeln.
20. Setzen Sie die Plastikabdeckungen auf die Schrauben auf (Abb. **16**, Seite 9).

#### 5.4 WC-Anlage mit durch die Wand geführten Verbindungen

1. Um die Kabel und Wasserleitungen durch die Wand zu führen, markieren Sie die vertikalen Mittellinien der Bohrungen anhand der Fußbodenschablone.
2. Lösen Sie die Schelle am Auslass des Abflussbogens und entfernen Sie den geraden Schlauchanschluss (Abb. **2** 5, S. 2) vom Abflussadapteranschluss (Abb. **2** 4, S. 2).
3. Bringen Sie das Abflusskniestück (Abb. **1** K, S. 2) am Abflussadapteranschluss an.
4. Stellen Sie das WC an den vorgesehenen Platz und markieren Sie die horizontalen Mittellinien (Abb. **17**, S. 10).
5. Bohren Sie die Öffnungen gemäß der Schablone.
6. Führen Sie die Kabel und Wasserleitungen durch die Öffnungen und gehen Sie dann gemäß der Installationsanleitung im Abschnitt 5.3, Schritt 10 vor.

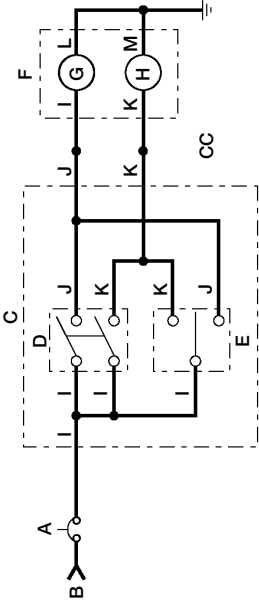
#### 5.5 WC-System mit Abschaltrelais für vollen Tank und Tankfüllstandsüberwachung

Die Elektrischen Toiletten von Dometic arbeiten mit den Dometic-Systemen DTM01C und DTM04 (vierstufige Ausführung) zur Tankfüllstandsüberwachung (als Zubehör erhältlich). In diesen Systemen erfolgt die Stromversorgung des WCs der Serie 8100 über das Abschaltrelais (siehe Schaltpläne, Seiten 21-22).

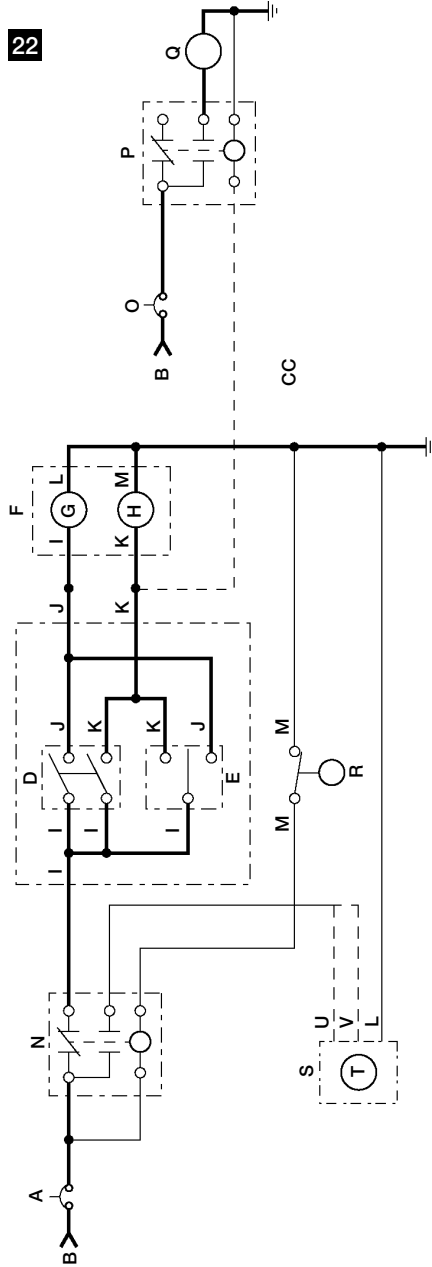
1. Legen Sie die Stromversorgungsleitungen vom Abschaltrelais (zuvor gemäß den Anweisungen zur Tankfüllstandsüberwachung installiert) zur Bedientafel des Systems 8100.
2. Gehen Sie gemäß der Installationsanleitung vor (beginnend mit Abschnitt 5.3, Schritt 10).

5.6 Schaltplan

21



22



23

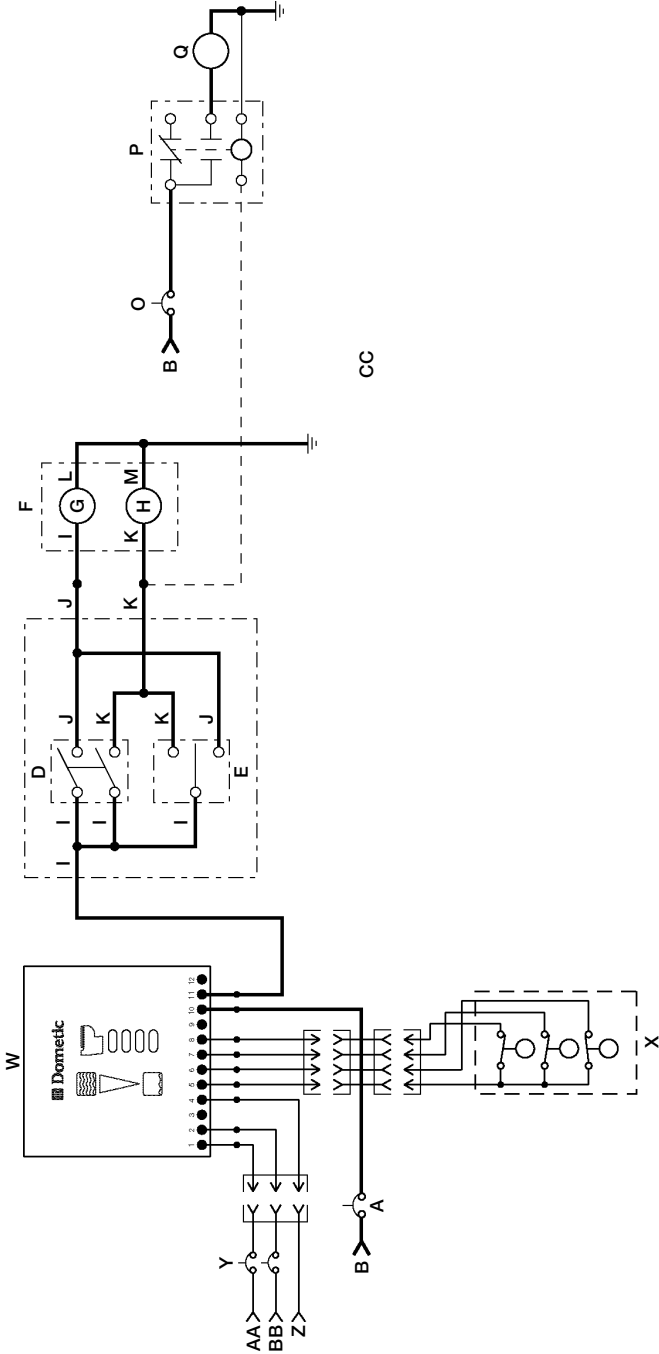


Abb. **21**, Seite 21

### WC Serie 8100, Grundauführung

Abb. **22**, Seite 21

### WC-System der Serie 8100 mit Abschaltrelais und Tankfüllstandsüberwachung

Abb. **23**, Seite 22

### WC-System der Serie 8100 mit mehrstufiger Tankfüllstandsüberwachung DTM04

Beschreibung	
A	Sicherung oder Schutzschalter 12 V DC, 20 A 24 V DC, 15 A
B	(+) DC-Eingang
C	Bedientafel
D	Spülen
E	Wasser Hinzugeben/Lernen ohne Spülen
F	WC
G	Motor
H	Wasserventil
I	Rot
J	Orange
K	Grün
L	Schwarz
M	Weiß
N	Abschaltrelais (Tank Voll) (30-A Min.)
O	Schutzschalter oder Sicherung (Bemessung Gemäss den Anforderungen des Pumpenher- stellers)
P	Relais für optionale Rohwasserpumpe. Achten Sie Darauf, Dass der Nennstrom des Relais den Anforderungen der Pumpe Entspricht

Beschreibung	
Q	Rohwasserpumpe
R	Schwimmer für Tankfüllstand
S	DTM01C oder Tankfüllstandsüberwachung „TankWatch“
T	LED-Kontrolllampe
U	Blau - Eingang 24 V DC
V	Rot - Eingang 12 V DC
W	DTM04-Tafel mit Abschaltrelais
X	Abwassertank
Y	Schutzschalter oder Sicherung, 1A
Z	Masse V DC
AA	Eingang 12 V DC
BB	Eingang 24 V DC
CC	Hinweise: Starke Linien bedeuten Kupferlitze – Querschnitt gemäß ABYC-Empfehlungen. Für alle anderen Leitungen reicht 18-er Kupferlitze aus.



#### Achtung – Kurzschluss- und Brandgefahr

Verwenden Sie immer eine Sicherung, einen Schutzschalter und Leitungen der vorgeschriebenen Größe. Andernfalls besteht die Gefahr von Unfällen mit Todesfolge oder Sachschäden.



#### Hinweis

Für jedes WC ist ein eigener Schutzschalter bzw. eine Sicherung vorzusehen.  
Die Installation muss in jeder Hinsicht den elektrotechnischen Normen nach ABYC/ISO entsprechen.

## 6 Kundendienst

Zur Unterstützung bei der Wartung und Pflege Ihrer Sanitäranlage steht ein leistungsfähiges weltweites Servicenetz zur Verfügung. Die Anschrift der nächstgelegenen Vertragswerkstatt erhalten Sie unter den folgenden Nummern (Montag bis Freitag zwischen 8:00 und 17:00, Ostküstenzeit).

Sollten Sie Ersatzteile benötigen, können Sie sich auch an Ihren Ersatzteihändler wenden (oder dies von Ihrem Händler erledigen lassen). Die Ersatzteihändler führen sämtliche Teile für die Dometic-Produktlinie.

Telefon:	1 800-321-9886	U.S.A. und Kanada
	330-496-3211	International
Fax:	330-496-3097	U.S.A. und Kanada
	330-496-3220	International
Web site:	<a href="http://www.Dometic.com">http://www.Dometic.com</a>	



## Table des matières

FR

1	Remarques concernant ce mode d'emploi	25
2	Consignes générales de sécurité	25 - 26
3	Composants	27
4	Spécifications	28
5	Installation	29 - 32
6	Service après-vente	33

## 1 Remarques concernant ce mode d'emploi



### Attention !

**Consigne de sécurité :** Le non-respect de cette consigne peut entraîner des dégâts matériels et entraver le fonctionnement de l'appareil.



### Remarque

Informations supplémentaires relatives à l'utilisation de l'appareil.

**fig. 1 A, page 2 :** Ceci désigne un élément d'un schéma. Dans cet exemple, l'item A du schéma 1 sur la page 2.

## 2 Consignes générales de sécurité

Le fabricant ne saurait être tenu responsable dans les cas suivants:

- Assemblage ou connexions incorrects
- Appareil endommagé par des influences mécaniques
- Modification de l'appareil sans l'autorisation écrite expresse du fabricant
- Utilisations autres que celles décrites dans le mode d'emploi

### 2.1 Avertissements : applications en mer

**Veillez bien lire et comprendre les instructions suivantes avant d'installer, de réparer et/ou d'utiliser ce produit à bord d'un bateau. Des dommages matériels peuvent survenir en cas de modification de ce produit.**

Dometic recommande de consulter un technicien expert en marine ou un electricien pour installer ou réparer ce produit. Une installation incorrecte risque d'endommager l'équipement, blesser le personnel voir entraîner la mort. DOMETIC DECLINE TOUTE RESPONSABILITE EN CAS D'EQUIPEMENT ENDOMMAGE, DE BLESSURES OU DE DECES DU PERSONNEL QUI RESULTERAIT D'UNE INSTALLATION, D'UNE REPARATION OU D'UNE UTILISATION INCORRECTE DE CE PRODUIT.



### Attention ! Risque d'inondation !

Si les WC sont reliés à des raccords de coque, des robinets DOIVENT être correctement installés sur tous les tuyaux reliés aux raccords de coque. Les robinets DOIVENT être facilement accessibles à tous les utilisateurs du WC ou les vannes secondaires doivent être fixées aux tuyaux de manière à ce qu'elles soient facilement accessibles. Toutes les vannes DOIVENT être à passage intégral et de qualité marine. Il est déconseillé d'utiliser des vannes à tige filetée. Sinon, une inondation risque de causer des pertes humaines et matérielles.



**Attention ! Risque d'inondation !**

Si les WC sont reliés à des raccords de coque, TOUS les flexibles doivent être de qualité d'assainissement marine et doivent être fixés à des raccords (tels que ceux du robinet, de la boucle de ventilation ou des WC) avec deux colliers de serrage pour tuyau à sangle et à vis sans fin en acier inoxydable. Le bon état des connexions DOIT être contrôlé régulièrement. Sinon, une inondation risque de causer des pertes humaines et matérielles.

**Attention ! Risque d'inondation !**

Si le rebord des WC peut se trouver A TOUT INSTANT en dessous de la ligne d'eau (quelles que soient les conditions de flottaison, de chargement ou d'assiette) et que les WC sont reliés à des raccords de coque, des boucles de ventilations positionnées correctement DOIVENT être installées dans la tuyauterie d'admission\* ou d'évacuation afin d'éviter un éventuel reflux de l'eau de mer dans le bateau. Sinon, une inondation risque de causer des pertes humaines et matérielles.

*\* si reliée à de l'eau non traitée*

**Attention ! Risque d'inondation !**

Si le système de chasse d'eau fonctionne avec de l'eau non traitée (en tout temps), IL NE FAUT PAS installer une pompe à eau non traitée contrôlée par un commutateur « à la demande » à fonctionnement automatique. S'il y avait une fuite au niveau de la vanne hydraulique à bord ou des raccords de tuyauterie, la pompe à fonctionnement automatique démarrerait et risquerait de causer une inondation. Cela risquerait de causer des pertes humaines et matérielles.

**Attention ! Risque d'inondation !**

Avant de manipuler ce produit, vérifiez que l'unité est hors tension et que les robinets sont en position FERMEE ou OFF. Sinon, une inondation risque de causer des pertes humaines et matérielles.

**Attention ! Risque d'incendie ou d'électrocution**

Utilisez toujours le fusible, le disjoncteur et la taille de câble conseillés. Sinon, un incendie risquerait de causer des pertes humaines et matérielles.

**Attention !**

Un surremplissage du réservoir d'eaux noires peut causer de graves dommages au système sanitaire, par exemple la rupture du réservoir d'eaux noires et le déversement de son contenu dans la cale. Pour pallier cette éventualité, Dometic recommande d'utiliser le relais de coupure pour « Réservoir plein » dans le module de contrôle électronique des WC. Le signal « Réservoir plein » du réservoir d'eaux noires peut être émis par un système de surveillance du réservoir optionnel Dometic DTM01C ou un système de surveillance de réservoir à quatre niveaux DTM04.

### 3 Composants

(fig. **1**, page 2)

Réf.	Description
A	WC dilacérateurs
B	Commutateur de chasse d'eau Dometic
C	Câble d'alimentation électrique
D	Câbles (2) de sortie vers les toilettes
E	Câbles d'alimentation (2) du commutateur de chasse d'eau
F	Câbles (2) de sortie vers la terre
G	Kit de matériel de montage au sol
H	Gabarit de montage au sol
I	Gabarit mural pour commutateur de chasse d'eau
J	Adaptateur vanne hydraulique
K	Raccord coudé d'évacuation

(fig. **2**, page 2)

Réf.	Description
1	Vanne anti-siphon
2	Vanne de retenue
3	Sortie de la boucle d'évacuation
4	Raccord adaptateur d'évacuation
5	Raccord de tuyau d'évacuation
6	Pompe dilacératrice
7	Vanne hydraulique
8	Ligne d'eau - raccord NPT 0,5 in.

Consultez la liste complète des éléments (emballée séparément) pour plus d'informations.

## 4 Spécifications

### 4.1 Matériaux

Toilette : céramique vitreuse

Panneau du commutateur de chasse d'eau

Corps de la pompe dilacératrice : polypropylène chargé fibre de verre

Dometic : aluminium peint époxy

### 4.2 Configuration système minimale requise

Alimentation électrique	Disjoncteur	20 amp/12 V CC ; 15 amp/24 V CC
	Câblage	12 ga. (6,1 m du disjoncteur / jusqu'à 20 ft.)
Alimentation en eau	Raccord	ID ligne d'eau flexible 13 mm
	Débit	7,6 lpm / 2,0 gpm minimum
Evacuation	Diamètre intérieur	38 mm / 1,5 in. ou 25 mm / 1 in. minimum
	Circuit horizontal	30 m / 98 ft. maximum
	Circuit vertical	3 m / 9,8 ft. maximum

Spécifications sous réserve de modifications sans préavis.

### 4.3 Dimensions (fig. 3, page 2)

#### Modèles hauteur standard

Ref.	Dimension
A	467 mm / 18,375 in.
B	375 mm / 14,75 in.
C	467 mm / 18,375 in.
D	432 mm / 17 in. - hauteur du siège
E	378 mm / 14,875 in.
F	813 mm / 32 in. - couvercle

#### Modèles abaissés

Ref.	Dimension
A	381 mm / 15 in.
B	375 mm / 14,75 in.
C	467 mm / 18,375 in.
D	349 mm / 13,75 in. - hauteur du siège
E	356 mm / 14 in.
F	711 mm / 28 in. - couvercle

### Panneau d'activation de la chasse d'eau Dometic

(fig. 4, page 2)

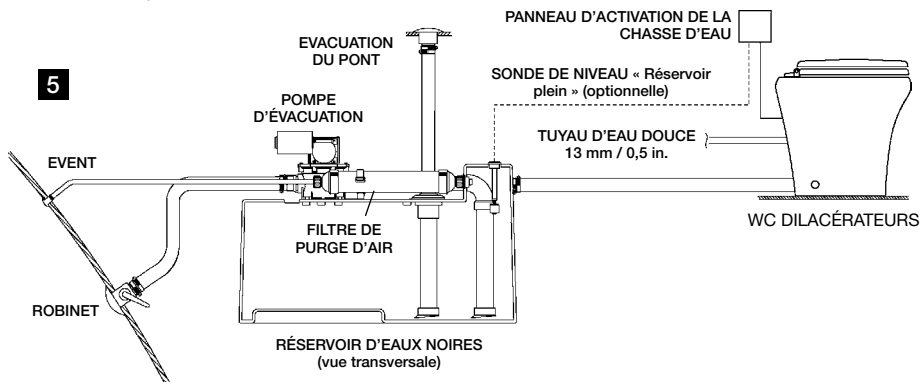
Ref.	Dimension
A	83 mm / 3,25 in.
B	83 mm / 3,25 in.

## 5 Installation

### 5.1 Disposition du système d'eau douce

Les toilettes dilacératrices Dometic peuvent fonctionner avec un système d'eau douce pressurisée à bord avec un débit minimum de 7,6 lpm au niveau des toilettes. Les systèmes d'alimentation « à la demande » en eau douce à bord comprennent une pompe hydraulique qui extrait automatiquement de l'eau d'un réservoir

de stockage d'eau lorsqu'une vanne du système de tuyauterie est ouverte. Les toilettes Dometic de la série 8100 sont équipées d'une vanne hydraulique à fonctionnement électrique et d'une vanne de retenue intégrée pour éviter la contamination des aménées d'eau potable à bord.

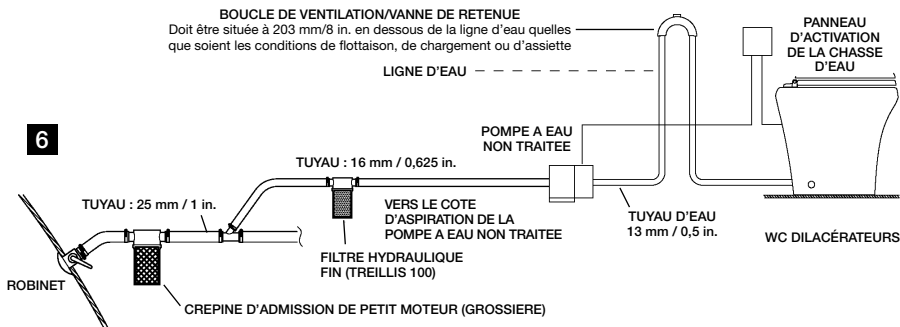


#### Remarque

Utilisez uniquement de l'eau froide. Incluez une vanne d'arrêt au niveau de la ligne d'eau pour les opérations de maintenance.

### 5.2 Disposition du système d'eau non traitée

Les WC dilacérateurs Dometic peuvent rincer à l'eau de mer mais cela nécessite une pompe séparée. La pompe est commandée par le commutateur de la chasse d'eau. Si la pompe à eau non traitée consomme plus de 18 amp. de courant, il faut installer un relais électrique de 12 ou 24 V CC.



#### Remarques

Utilisez uniquement de l'eau froide. Incluez une vanne d'arrêt au niveau de la ligne d'eau pour les opérations de maintenance. Utilisez des filtres à eau non filtrée primaire et secondaire. La pompe à eau non filtrée ne doit pas obligatoirement être de type « à la demande ». La pompe est commandée par le commutateur de la chasse d'eau. Installez la boucle de ventilation comme indiqué. Elle doit être équipée d'une vanne d'arrêt intégrée qui permet à l'air d'entrée dans la ligne pour éviter le siphonnement.



### Attention ! Risque d'inondation



Si le système de chasse d'eau fonctionne avec de l'eau non traitée (en tout temps), IL NE FAUT PAS installer une pompe à eau non traitée contrôlée par un commutateur « à la demande » à fonctionnement automatique. S'il y avait une fuite au niveau de la vanne hydraulique à bord ou des raccords de tuyauterie, la pompe à fonctionnement automatique démarrerait et risquerait de causer une inondation. Cela risquerait de causer des pertes humaines et matérielles.

## 5.3 Système de WC avec des connexions au sol

1. Placez le gabarit de montage au sol à l'emplacement désiré (fig. **7**, page 8). Pour un confort de l'utilisateur optimal, vérifiez que les parois et les autres dispositifs intérieurs se trouvent à au moins 279 mm / 11 in. de la ligne centrale du gabarit.
2. Indiquez l'emplacement de tous les trous et de tous les supports angulaires de montage à travers le gabarit.
3. Retirez le gabarit. Percez tous les trous d'accès et de fixation comme indiqué sur le gabarit. NE PERCEZ PAS les supports angulaires de montage.
4. A l'aide des longues vis à tête hexagonale du kit de fixation au sol des toilettes, fixez les fixations au sol avec une clé à douille de 10 mm, en utilisant les repères angulaires comme guides (fig. **8**, page 8).



### Remarque

Ne serrez pas complètement les vis à tête hexagonale au sol. Faites en sorte que les supports puissent glisser légèrement. Les supports se serreront lorsque vous y fixerez les WC.

5. Prévoyez l'emplacement du panneau d'activation de la chasse d'eau de sorte que les raccords électriques et les câbles ne puissent être mouillés.
6. Utilisez le gabarit du commutateur mural des toilettes de la série MasterFlush 8100 pour marquer l'emplacement des trous de fixation et d'accès du panneau du commutateur mural. Percez un trou d'un diamètre de 70 mm (fig. **9**, page 8).
7. Après avoir coupé l'alimentation électrique, connectez le disjoncteur ou le fusible au commutateur mural et le commutateur mural aux toilettes avec du fil de cuivre tressé d'épaisseur 14 ou plus (selon les recommandations ABYC). Branchez les câbles aux cordons appropriés se trouvant au dos du panneau du commutateur mural à l'aide de connecteurs de câbles. Pour des informations complètes concernant le câblage, reportez-vous aux schémas de câblage (pp. 21-22).
8. Fixez le panneau du commutateur mural au mur (fig. **9**, page 8).
9. Faites passer le câble du panneau du commutateur mural vers les toilettes par le trou d'accès dans le sol. Posez le câble de connexion à la terre des toilettes. (Laissez un peu plus de câble au niveau des toilettes afin de pouvoir facilement retirer les toilettes des supports de montage pour les travaux futurs de maintenance et d'entretien.) Effectuez les branchements finaux.
10. Faites passer l'alimentation en eau et les tuyaux d'évacuation vers les toilettes en vous conformant aux configurations requises du système (section 4.2). Laissez une longueur supplémentaire pour l'alimentation en eau et le tuyau d'évacuation afin de faciliter le raccord aux toilettes (fig. **13**, page 9).
11. Branchez l'adaptateur de la vanne hydraulique à la ligne d'eau flexible avec un collier de serrage (fig. **10**, page 9).
12. Fixez l'adaptateur de la vanne hydraulique au raccord de la vanne hydraulique (fig. **11**, page 9).
13. Desserrez les colliers de serrage à sangle sur la sortie de la boucle d'évacuation et retirez le raccord adaptateur/l'assemblage de raccord de tuyau d'évacuation (fig. **12**, page 9).

14. Lubrifiez l'assemblage de raccord d'évacuation et l'intérieur de l'extrémité du tuyau d'évacuation avec du liquide à vaisselle. Poussez l'assemblage de raccord d'évacuation dans le tuyau d'évacuation et raccordez avec deux colliers de serrage pour tuyaux. Veillez à positionner les colliers de serrage de façon à ce qu'ils forment un angle de 180° (fig. 13, page 9). Placez les toilettes près des trous d'accès.
15. Branchez les câbles du panneau du commutateur de chasse d'eau aux câbles des toilettes (fig. 14, page 9) selon le schéma de câblage approprié (pp. 21-22). Branchez les câbles de terre des toilettes selon les indications.
16. Placez les toilettes sur les supports au sol et renversez les toilettes de haut en bas. Poussez le raccord et le tuyau d'évacuation vers le haut dans la sortie de la boucle d'évacuation et serrez le collier de serrage (fig. 14, page 9).
17. Abaissez les toilettes de façon à ce que les supports au sol apparaissent dans les trous de fixation (fig. 15, page 9).
18. Activez l'alimentation en eau et l'alimentation électrique des toilettes et vérifiez l'absence de fuites. Appuyez sur le commutateur « Chasse d'eau » (fig. 4 1, page 2). Si vous constatez des fuites, serrez le raccord.
19. Insérez les adaptateurs en plastique du kit de fixation au sol dans les trous de fixation. Fixez les toilettes aux supports à l'aide des vis courtes fournies dans le kit.
20. Recouvrez les vis des supports au sol à l'aide des couvercles en plastiques (fig. 16, page 9).

#### 5.4 Système de WC avec des connexions au mur

1. Pour faire passer les câbles et la tuyauterie par le mur, utilisez le gabarit de montage au sol pour situer la ligne de centre verticale de chaque trou.
2. Desserrez le collier de serrage à sangle sur la sortie de la boucle d'évacuation et retirez le raccord droit du tuyau d'évacuation (fig. 2 5, p. 2) du raccord de l'adaptateur d'évacuation (fig. 2 4, p. 2).
3. Placez le raccord coudé d'évacuation (fig. 1 K, p. 2) sur le raccord de l'adaptateur d'évacuation.
4. Placez les toilettes en position et marquez les lignes de centre horizontales (fig. 17, page 10).
5. Percez des trous aux tailles indiquées sur le gabarit.
6. Faites passer les câbles et la tuyauterie par les trous, puis suivez les instructions relatives à l'installation des toilettes en commençant par la section 5.3, étape 10.

#### 5.5 Système de toilettes avec relais de coupure pour « Réservoir plein » et dispositif de surveillance du réservoir

Les toilettes dilacératrices Dometic fonctionnent avec le dispositif de surveillance du réservoir DTM01C de Dometic et les systèmes DTM04 à quatre niveaux de surveillance du réservoir (disponibles séparément). Dans ces installations, les toilettes de la série 8100 sont alimentées en électricité par le relais de coupure « réservoir plein » (voir schémas de câblage, page 21-22).

1. Posez les câbles d'alimentation électrique du relais de coupure « réservoir plein » (précédemment installé conformément aux instructions du dispositif de surveillance du réservoir) vers le panneau du commutateur de la chasse d'eau de la série 8100.
2. Suivez les instructions de montage des toilettes commençant à la section 5.3, étape 10.

## 5.6 Schéma de câblage

Fig. **21**, page 21

### Toilet de la série 8100 de base

Fig. **22**, page 21

### Système de toilettes de la série 8100 avec relais de coupure et dispositif de surveillance « réservoir plein »

Fig. **23**, page 22

### Système de toilettes de la série 8100 avec dispositif de surveillance du réservoir à niveaux multiples DTM04

Description
A Fusible ou disjoncteur 12 V CC : 20 amp 24 V CC : 15 amp
B +V CC Entrée
C Panneau d'activation de la chasse d'eau
D Chasse d'eau
E Ajout d'eau/rinçage à sec
F WC
G Moteur
H Vanne hydraulique
I Rouge
J Orange
K Vert
L Noir
M Blanc
N Relais de coupure « réservoir plein » (30 A minimum)
O Disjoncteur ou fusible taille selon les exigences du fabricant de la pompe
P Relais nécessaire pour pompe à eau non traitée, en option. Assurez-vous que la valeur nominale de courant du relais correspond aux exigences de la pompe à eau non traitée

Description
Q Pompe à eau non traitée
R Flotteur réservoir « plein »
S DTM01C ou dispositif de surveillance du niveau du réservoir
T Témoin lumineux LED
U Bleu - 24 V CC entrée
V Rouge - 12 V CC entrée
W Panneau DTM04 avec relais de coupure
X Réservoir d'eaux noires
Y Disjoncteur ou fusible 1 A
Z V CC terre
AA Entrée (+) 12 V CC
BB Entrée (+) 24 V CC
CC REMARQUES : les lignes épaisses représentent des fils de cuivre tressé : dimensions en fonction des recommandations ABYC. Tous les autres fils peuvent être des fils de cuivre tressé d'épaisseur 18.



#### Attention – Risque d'incendie ou d'électrocution

Utilisez toujours le fusible, le disjoncteur et la taille de câble conseillés. Sinon, cela pourrait causer des pertes humaines et matérielles.



#### Remarque

Chaque WC doit disposer de son propre disjoncteur ou fusible à temporisation moyenne. Tous les facteurs d'installation doivent être conformes aux normes électriques ABYC/ISO. Utilisez toujours des raccords de câbles sertis. N'utilisez pas de serre-fils (ils se corrodent).



## 6 Service après-vente

Un réseau mondial conséquent est à votre disposition pour vous assister dans l'entretien et la maintenance de votre système d'assainissement. Pour connaître le centre habilité le plus proche de chez vous, contactez-nous du lundi au vendredi de 8 h à 17 h.

Vous ou votre revendeur local pouvez également contacter le fournisseur de pièces le plus proche de chez vous. Vous obtiendrez ainsi une réponse rapide lorsque vous avez besoin de pièces de rechange. Ils détiennent la liste complète de la ligne de produits Dometic.

Téléphone :	1 800-321-9886	Etats-Unis et Canada
	330-496-3211	International
Fax :	330-496-3097	Etats-Unis et Canada
	330-496-3220	International
Site Web :	<a href="http://www.Dometic.com">http://www.Dometic.com</a>	

# Índice

ES

1	Notas relativas al uso de este manual . . . . .	34
2	Instrucciones generales de seguridad . . . . .	34 - 35
3	Componentes . . . . .	36
4	Especificaciones . . . . .	37
5	Instalación . . . . .	38 - 41
6	Servicio de atención al cliente . . . . .	42

## 1 Notas relativas al uso de este manual



### ¡Precaución!

**Indicación de seguridad:** si no respeta esta indicación, se pueden producir daños materiales y perjudicar el funcionamiento del dispositivo.



### Nota

Información suplementaria relativa al manejo del dispositivo.

fig. **1 A**, pág. **2** : se refiere a un elemento de un dibujo. En este ejemplo, elemento 1 en la figura 2 de la pág. 2.

## 2 Instrucciones generales de seguridad

El fabricante no se hará responsable de las reclamaciones por daños resultantes de alguno de los siguientes casos:

- Montaje o conexión incorrectos
- Daños producidos por influencias mecánicas
- Modificaciones efectuadas sin la autorización expresa por escrito del fabricante
- Uso para fines distintos de los descritos en el manual de funcionamiento

### 2.1 Advertencias relativas a las aplicaciones marinas

Antes de proceder a la instalación, el mantenimiento o el funcionamiento de este producto en una embarcación se deben leer y comprender las siguientes instrucciones. Si se modifica este producto, se pueden producir daños materiales.

Dometic recomienda que sea un técnico o un electricista marino cualificado quien instale o realice el mantenimiento de este producto. Una instalación incorrecta puede provocar daños en el producto, lesiones personales o incluso la muerte. **DOMETIC NO ACEPTARÁ NINGÚN TIPO DE RESPONSABILIDAD POR DAÑOS MATERIALES, LESIONES PERSONALES O MUERTE RESULTANTES DE UNA INSTALACIÓN; MANTENIMIENTO O FUNCIONAMIENTO INCORRECTOS DE ESTE PRODUCTO.**



### ¡Precaución! Peligro de inundación

Si el inodoro está conectado a ALGÚN racor pasacascos, DEBERÁN instalarse correctamente válvulas de toma de agua de mar en todas las tuberías conectadas a los racores pasacascos. Las válvulas de toma de agua de mar DEBEN ser fácilmente accesibles para todos los usuarios del inodoro o se DEBEN instalar válvulas secundarias en las mangueras de forma que sean fácilmente accesibles. Todas las válvulas DEBEN ser de paso total y resistentes al agua de mar. No se recomiendan válvulas de compuerta con cierre roscado. El incumplimiento de lo anterior puede causar inundaciones que provoquen daños materiales e incluso la muerte.



**¡Precaución! Peligro de inundación**

Si el inodoro está conectado a ALGÚN racor pasacascos, TODAS las mangueras flexibles deben ser resistentes al agua de mar, adecuadas para sanitarios y estar aseguradas a CADA racor (como los de las válvulas de toma de agua de mar, codo de ventilación o inodoro) con dos abrazaderas de manguera con tornillo sinfín de acero inoxidable. Se debe revisar con frecuencia si las conexiones están en perfecto estado. El incumplimiento de lo anterior puede causar inundaciones que provoquen daños materiales e incluso la muerte.

**¡Precaución! Peligro de inundación**

Si el borde del inodoro está en ALGÚN momento por debajo de la línea del agua (en condiciones de escora, carga o estiba) y está conectado a ALGUNO de los racores pasacascos, se deberán instalar codos de ventilación debidamente posicionados en el sistema de tuberías de entrada\* o descarga para evitar que el agua de mar vuelva a la embarcación. El incumplimiento de lo anterior puede causar inundaciones que provoquen daños materiales e incluso la muerte.



\* Si está conectado a agua bruta

**¡Precaución! Peligro de inundación**

Si en ALGÚN momento el inodoro utiliza agua bruta para la cisterna, NO SE DEBERÁ instalar una bomba de agua bruta controlada por un interruptor que la active automáticamente cuando sea necesario. Si la válvula de agua de a bordo o alguna conexión de fontanería presentan una fuga, la bomba automática podría ponerse en funcionamiento e inundar la embarcación. El incumplimiento de lo anterior podría provocar daños materiales e incluso la muerte.

**¡Precaución! Peligro de inundación**

Antes de proceder a cualquier trabajo en este producto, asegúrese de que la unidad esté desconectada de la alimentación eléctrica y de que las válvulas de toma de agua de mar estén en la posición CERRADO u OFF. El incumplimiento de lo anterior puede causar inundaciones que provoquen daños materiales e incluso la muerte.

**¡Precaución! Peligro de electrocución o incendio**

Utilice siempre el fusible, disyuntor y tamaño de cable recomendados. El incumplimiento de lo anterior puede causar un incendio que provoque daños materiales e incluso la muerte.

**¡Precaución!**

Si se llena excesivamente el depósito de retención se puede dañar gravemente el sistema sanitario, que se podría romper dejando salir su contenido a la sentina. Para evitar esta posibilidad, Dometic recomienda utilizar el relé de desconexión para depósito lleno en el módulo de control electrónico del inodoro. La señal de "lleno" procedente del depósito de retención puede ser generada por un sistema opcional de control del depósito Dometic DTM01C o por un sistema de cuatro niveles de control del depósito DTM04.

### 3 Componentes

(fig. **1**, pág. 2)

Ref.	Descripción
A	Inodoro triturador
B	Pulsador de la cisterna Dometic
C	Cable de entrada de alimentación
D	Cables de salida (2) hacia el inodoro
E	Cables de entrada (2) desde el pulsador de la cisterna
F	Cables de salida (2) hacia la conexión a tierra
G	Juego de fijación al suelo
H	Plantilla para montaje en el suelo
I	Plantilla para marcar en la pared la ubicación del pulsador de la cisterna
J	Adaptador de la válvula de agua
K	Codo de descarga

(fig. **2**, pág. 2)

Ref.	Descripción
1	Válvula antisifón
2	Válvula de control
3	Salida del codo de descarga
4	Racor del adaptador de descarga
5	Racor de la manguera de descarga
6	Bomba trituradora
7	Válvula de agua
8	Tubería de agua con racor NPT de 0,5 pulgadas

Para más información, consulte la lista completa de piezas (entregada por separado).

## 4 Especificaciones

### 4.1 Materiales

Inodoro: cerámica vítrea

Cuerpo de la bomba trituradora: polipropileno reforzado con fibra de vidrio

Panel de mando de la cisterna Dometic: aluminio con recubrimiento en polvo

### 4.2 Requisitos mínimos del sistema

Sistema eléctrico	Disyuntor	20 amperios/12 V CC; 15 amperios/24 V CC
	Cableado	12 ga. (hasta a 6,1 m/20 pies del disyuntor)
Alimentación de agua	Racor	Tubería de agua flexible de 13 mm de diám. int.
	Tasa de caudal	7,6 lpm/2,0 gpm mínimo
Descarga	Diámetro interior	38 mm/1,5 pulgadas o 25 mm/1 pulgada mínimo
	En horizontal	30 m/98 pies máximo
	En vertical	3 m/9,8 pies máximo

Queda reservado el derecho a modificar los datos sin previo aviso.

### 4.3 Dimensiones (fig. 3, pág. 2)

#### Modelos de altura estándar

Ref.	Dimensión
A	467 mm / 18,375 pulgadas
B	375 mm / 14,75 pulgadas
C	467 mm / 18,375 pulgadas
D	Altura del asiento: 432 mm / 17 pulgadas
E	378 mm / 14,875 pulgadas
F	Tapa del asiento abierta: 813 mm/32 pulgadas

#### Modelos con perfil bajo

Ref.	Dimensión
A	381 mm / 15 pulgadas
B	375 mm / 14,75 pulgadas
C	467 mm / 18,375 pulgadas
D	Altura del asiento: 349 mm / 13,75 pulgadas
E	356 mm / 14 pulgadas
F	Tapa del asiento abierta 711 mm/28 pulgadas

#### Panel de mando de la cisterna Dometic

(fig. 4, pág. 2)

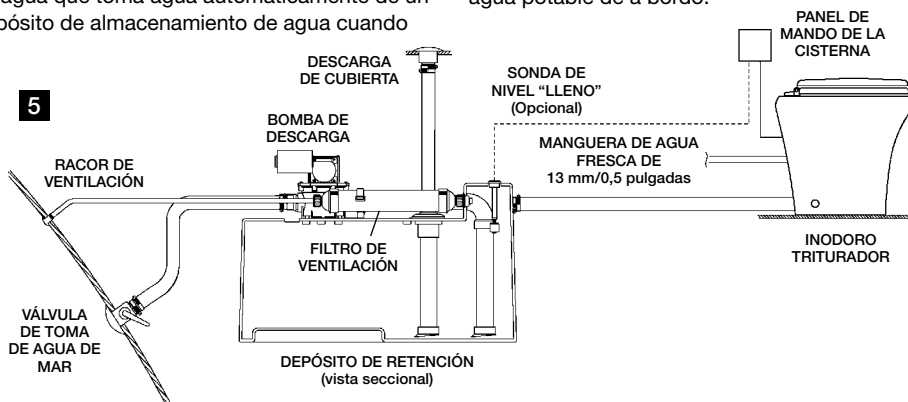
Ref.	Dimensión
A	83 mm / 3,25 pulgadas
B	83 mm / 3,25 pulgadas

## 5 Instalación

### 5.1 Sistema de agua fresca

Los inodoros trituradores Dometic pueden funcionar con un sistema de agua fresca de a bordo bajo presión con una tasa mínima de caudal de 7,6 lpm en el inodoro. Los sistemas de a bordo que necesitan agua limpia incluyen una bomba de agua que toma agua automáticamente de un depósito de almacenamiento de agua cuando

alguna válvula del sistema de tuberías está abierta. Los inodoros Dometic de la serie 8100 están provistos de una válvula de agua que funciona eléctricamente y de una válvula de control en línea que evita que se contamine el agua potable de a bordo.

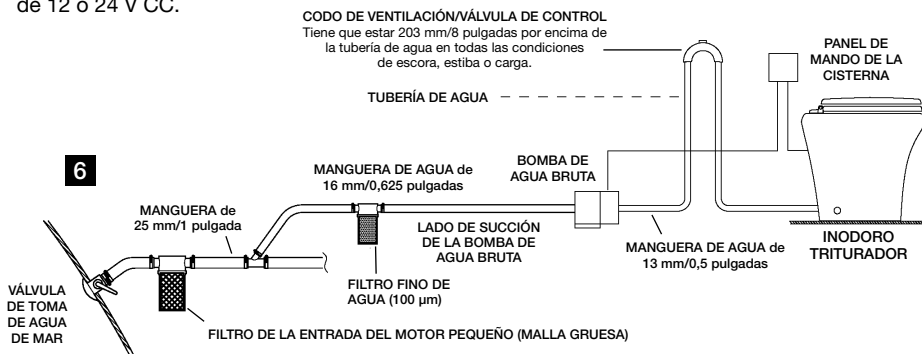


#### Nota

Utilice sólo agua fría. Incluya una válvula de desconexión en la tubería de agua para el mantenimiento.

### 5.2 Sistema de agua bruta

Las cisternas de los inodoros trituradores Dometic pueden funcionar con agua de mar, pero para ello necesitan una bomba extra. La bomba está controlada por el pulsador de la cisterna. Si la bomba de agua bruta consume más de 18 amperios de corriente, se deberá instalar un relé eléctrico de 12 o 24 V CC.



#### Notas

Utilice sólo agua fría. Monte una válvula de desconexión en la línea de agua a efectos de mantenimiento. Utilice filtros primarios y secundarios de agua bruta. La bomba de agua bruta NO SE DEBE activar automáticamente en función de la necesidad. La bomba está controlada por el pulsador de la cisterna. Instale el codo de ventilación tal y como se indica. Se tiene que equipar con la válvula de control integrada que permite la entrada de aire en la tubería para evitar que se produzca el efecto sifón.



### ¡Precaución! Peligro de inundación

Si en ALGÚN momento el inodoro utiliza agua bruta para la cisterna, NO SE DEBERÁ instalar una bomba de agua bruta controlada por un interruptor que la active automáticamente cuando sea necesario. Si la válvula de agua de a bordo o alguna conexión de fontanería presentan una fuga, la bomba automática podría ponerse en funcionamiento e inundar la embarcación. Si no se tiene en cuenta esta advertencia, se podrían producir daños materiales e incluso la muerte.



## 5.3 Sistema de inodoro con conexiones a través del suelo

1. Coloque la plantilla de montaje en el suelo en el lugar que haya escogido para la ubicación (fig. **7**, pág. 8). Para garantizar la máxima comodidad, asegúrese de que las paredes o cualquier dispositivo interno queden por lo menos a 279 mm de la línea central de la plantilla.
2. Marque el centro de todos los agujeros y las esquinas de los soportes en escuadra a través de la plantilla.
3. Retire la plantilla del suelo. Perfore todos los agujeros de acceso y sujeción como se indica en la plantilla. NO perfore las esquinas de los soportes en escuadra.
4. Con los tornillos largos de cabeza hexagonal del juego de fijación del inodoro al suelo, fije los soportes en escuadra para el suelo con una llave de tubo de 10 mm utilizando marcas en las esquinas como guías (fig. **8**, pág. 8).



### Nota

No apriete de todo los tornillos de cabeza hexagonal en el suelo, sino deje que los soportes se puedan deslizar ligeramente. Los soportes se apretarán cuando se fije el inodoro a ellos.

5. Planifique la ubicación del panel de mando de la cisterna de tal modo que las conexiones eléctricas y los cables no puedan mojarse.
6. Utilice la plantilla del mando para marcar en la pared la ubicación del inodoro MasterFlush de la serie 8100 para señalar la ubicación de los agujeros de fijación y de acceso para el panel de mando en la pared. Perfore un agujero de 70 mm de diámetro (fig. **9**, pág. 8).
7. Con la alimentación eléctrica desconectada, tienda el cable de cobre trenzado de calibre 14 o superior (según las recomendaciones ABYC) desde el disyuntor o el fusible al pulsador en la pared y desde éste último al inodoro. Conecte los cables con conexiones crimp a sus tomas adecuadas adjuntas en la parte posterior del panel de mando en la pared. (Para obtener todas las opciones de cableado, consulte los esquemas de conexiones, pág. 21-22).
8. Fije el panel de mando a la pared (fig. **9**, pág. 8).
9. Tienda el cable del panel de mando en la pared al inodoro a través del agujero de acceso en el suelo. Tienda el cable de conexión a tierra al inodoro. (Disponga de cableado extra en el inodoro para retirarlo fácilmente de los soportes de montaje antes de repararlo o llevar a cabo su mantenimiento). Establezca las conexiones de cable finales.
10. Tienda las tuberías de alimentación y descarga de agua del inodoro conforme lo requiera el sistema (apartado 4.2). Disponga de una alimentación de agua y de longitudes de manguera de descarga extras para garantizar una conexión fácil al inodoro (fig. **13**, pág. 9).
11. Conecte el adaptador de la válvula de agua a la tubería de agua flexible con abrazaderas de manguera (fig. **10**, pág. 9).
12. Conecte de forma segura el adaptador de la válvula de agua al racor de la válvula de agua (fig. **11**, pág. 9).
13. Afloje la abrazadera de cinta de la salida del codo de descarga y retire el racor del adaptador/de la manguera de descarga (fig. **12**, pág. 9).

14. Lubrique el racor de descarga y el interior del final de la manguera de descarga con detergente lavavajillas. Deslice el racor de descarga sobre la manguera de descarga y fíjelo con dos abrazaderas de manguera. Asegúrese de posicionar los tornillos de las abrazaderas de la manguera a una distancia de 180° entre sí (fig. **13**, pág. 9). Sitúe el inodoro cerca de los agujeros de acceso.
15. Conecte los cables del panel de mando de la cisterna a los cables del inodoro (fig. **14**, pág. 9) según el esquema de conexiones apropiado (pág. 21-22). Conecte los cables de puesta a tierra desde el inodoro según lo indicado.
16. Coloque el inodoro sobre los soportes del suelo e inclínelo hacia arriba desde la parte de atrás. Empuje el racor de descarga y la manguera hasta la salida del codo de descarga y apriete la abrazadera (fig. **14**, pág. 9).
17. Deposite el inodoro de tal forma que los soportes en escuadra para el suelo se vean por los agujeros de fijación (fig. **15**, pág. 9).
18. Abra la alimentación de agua y la alimentación eléctrica al inodoro, y controle si hay fugas. Presione el pulsador "Cisterna" (fig. **4** 1, pág. 2). Si se producen fugas, apriete la conexión.
19. Inserte los adaptadores de plástico del juego de soportes en escuadra para el suelo en los agujeros de fijación. Fije el inodoro a los soportes con los tornillos cortos incluidos en el juego.
20. Cubra los tornillos de los soportes para el suelo con tapones de plástico (fig. **16**, pág. 9).

#### 5.4 Sistema de inodoro con conexiones a través de la pared

1. Para tender las conexiones de cableado y de tuberías a través de la pared, utilice la plantilla del suelo para localizar la línea central vertical de cada agujero.
2. Afloje la abrazadera de cinta de la salida del codo de descarga y retire el racor de la manguera de descarga (fig. **2** 5, p. 2) del racor del adaptador de descarga (fig. **2** 4, p. 2).
3. Fije el codo de descarga (fig. **1** K, p. 2) al racor del adaptador de descarga.
4. Coloque el inodoro en la posición apropiada y marque las líneas centrales horizontales (fig. **17**, p. 10).
5. Perfore agujeros del tamaño indicado en la plantilla.
6. Tienda el cableado y las tuberías a través de los agujeros y siga las instrucciones de instalación del inodoro comenzando en el apartado 5.3, paso 10.

#### 5.5 Sistema de inodoro con relé de desconexión para "depósito lleno" y sistema de control del depósito

Los inodoros trituradores Dometic funcionan con el control del depósito DTM01C de Dometic y con los sistemas de control del depósito DTM04 de cuatro niveles (disponibles por separado). En estas instalaciones, el inodoro de la serie 8100 recibe suministro eléctrico a través del relé de desconexión para "depósito lleno" (ver esquemas de conexiones, página 21-22).

1. Tienda los cables de alimentación de entrada desde el relé de desconexión para "depósito lleno" (instalado anteriormente según las instrucciones del sistema de control del depósito) hasta el panel de mando de la cisterna de la serie 8100.
2. Siga las instrucciones para la instalación del inodoro a partir del apartado 5.3, paso 10.



## 5.6 Esquemas del cableado

Fig. **21**, página 21

### Inodoro básico de la serie 8100

Fig. **22**, página 21

### Sistema de inodoro de la serie 8100 con relé de desconexión y control para “depósito lleno”

Fig. **23**, página 22

### Sistema de inodoro de la serie 8100 con sistema de control del depósito de retención DTM04 varios niveles

Descripción
A Fusible o disyuntor 12 V CC: 20 amp 24 V CC: 15 amp
B (+) V CC entrada
C Panel de mando de la cisterna
D Cisterna
E Añadir agua/bajo consumo
F Inodoro
G Motor
H Válvula de agua
I Rojo
J Naranja
K Verde
L Negro
M Blanco
N Relé de desconexión para “depósito lleno” (mínimo 30 amp)
O Tamaño del disyuntor o fusible según los requisitos del fabricante de la bomba
P Relé requerido para la bomba opcional de agua bruta. Garantizar que el valor de la corriente del relé cumpla con los requisitos de la bomba de agua bruta

Descripción
Q Bomba de agua bruta
R Flotador del depósito “lleno”
S DTM01C c control del nivel del depósito TenkWatch
T LED
U Azul - 24 V CC entrada
V Rojo - 12 V CC entrada
W Panel DTM04 con relé de desconexión
X Depósito de retención de descarga
Y Fusible o disyuntor de 1 amp
Z V CC masa
AA 12 V CC entrada
BB 24 V CC entrada
CC NOTAS: Las líneas gruesas representan el cable de cobre trenzado; el tamaño se debe determinar en función de las recomendaciones ABYC. Para el resto del cableado se puede utilizar un cable de cobre trenzado de calibre 18.



#### Precaución: peligro de electrocución o incendio

Utilice siempre el fusible, disyuntor y tamaño de cable recomendados. El incumplimiento de lo anterior podría provocar daños materiales e incluso la muerte.



#### Nota

Cada inodoro debe tener su propio disyuntor o fusible de retardo medio. Todos los factores de instalación deben cumplir los estándares eléctricos ABYC/ISO. Utilice siempre conexiones crimp. No utilice tuercas de cable (se corroen).

## 6 Servicio de Atención al Cliente

Hay una sólida red mundial de mantenimiento y servicio para asistirle en lo referente a su sistema sanitario. Para informarse sobre el Centro de Servicio Autorizado más cercano, llame por teléfono al número indicado más abajo entre las 8:00 h y las 17.00 h (hora del Este) de lunes a viernes.

También puede ponerse en contacto con el proveedor de piezas más cercano, directamente o a través de su distribuidor local, para obtener rápidamente las piezas de repuesto que necesite. Tienen un inventario completo de la gama de productos de Dometic.

Teléfono:	1 800-321-9886	EEUU y Canadá
	330-496-3211	Internacional
Fax:	330-496-3097	EEUU y Canadá
	330-496-3220	Internacional
Sitio web:	<a href="http://www.Dometic.com">http://www.Dometic.com</a>	

## Inhoudsopgave

NL

1	Opmerkingen over het gebruik van de gebruiksaanwijzing. . . . .	43
2	Algemene veiligheidsaanwijzingen . . . . .	43 - 44
3	Componenten . . . . .	45
4	Specificaties . . . . .	46
5	Installatie . . . . .	47 - 50
6	Klantenservice . . . . .	51

## 1 Opmerkingen over het gebruik van de gebruiksaanwijzing



### Waarschuwing!

**Veiligheidsaanwijzing:** Als deze aanwijzing niet in acht wordt genomen kan dit leiden tot materiële schade en een verminderde werking van het toestel.



### Opmerking

Extra informatie over het bedienen van het toestel.

**afb. 2 A, pagina 2:** Dit verwijst naar een element in een afbeelding. In dit voorbeeld, item A in afbeelding 2 op pagina 2.

## 2 Algemene veiligheidsaanwijzingen

De fabrikant is niet verantwoordelijk voor schade die wordt veroorzaakt door het volgende:

- verkeerde montage of aansluiting
- beschadiging van de unit door mechanische invloeden
- wijzigingen aan de unit zonder uitdrukkelijke schriftelijke toestemming van de fabrikant
- gebruik voor andere doeleinden dan beschreven in de bedieningshandleiding

### 2.1 Waarschuwingen – maritieme toepassingen

Voordat u dit product installeert, onderhoudt en/of gebruikt op een boot moet u de volgende verklaringen hebben gelezen en begrepen. Wijzigingen aan het product kunnen leiden tot schade aan uw eigendommen.

Dometic adviseert dit product te laten installeren of onderhouden door een gekwalificeerde scheepsmonteur of elektromonteur. Een niet correcte installatie kan leiden tot beschadiging van de uitrusting, persoonlijk letsel of overlijden. DOMETIC AANVAARDT GEEN VERANTWOORDELIJKHEID OF AANSPRAKELIJKHEID VOOR SCHADE AAN DE UITRUSTING, PERSOONLIJK LETSEL OF OVERLIJDEN ALS GEVOLG VAN EEN NIET CORRECTE INSTALLATIE, BEDIENING OF ONJUIST ONDERHOUD VAN DIT PRODUCT.



### Waarschuwing! Gevaar voor overstroming

Als het toilet is aangesloten op een van de buitenboordansluitingen MOETEN er goed geïnstalleerde buitenboordkranen worden aangebracht in alle buizen die op de buitenboordansluitingen zijn aangesloten. Buitenboordkranen MOETEN eenvoudig toegankelijk zijn voor alle gebruikers van het toilet of er moeten secundaire kleppen worden aangebracht in de slangen op een plek waar deze eenvoudig toegankelijk zijn. Alle kleppen MOETEN een volledige doorgang hebben en van maritieme kwaliteit zijn. Kleppen die met schroeven worden gesloten worden niet aanbevolen. Als u zich niet hieraan houdt, kan dit leiden tot overstroming en daardoor tot verlies van leven of eigendommen.



**Waarschuwing! Gevaar voor overstroming**

Als het toilet is aangesloten op een van de buitenboordaansluitingen, moeten ALLE flexibele slangen van voldoende kwaliteit zijn voor maritieme afvoersystemen en deze moeten aan ALLE aansluitingen (zoals buitenboordkraan, beluchter of toilet) worden bevestigd met twee roestvrijstalen slangklemmen met schroefdraad. De goede staat van deze aansluitingen MOET regelmatig worden gecontroleerd. Als u zich niet hieraan houdt, kan dit leiden tot overstroming en daardoor tot verlies van leven of eigendommen.

**Waarschuwing! Gevaar voor overstroming**

Als de toiletrand op ENIG MOMENT onder de waterlijn ligt (in bepaalde situaties bij het slagzij maken, laden of laveren) en het toilet is aangesloten op een buitenboordaansluiting, MOETEN er correct geplaatste geventileerde bochten (beluchting) worden geïnstalleerd in de inlaat-<sup>\*</sup> of uitlaatbuizen, zodat er geen zeewater in de boot kan terugstromen. Als u zich niet hieraan houdt, kan dit leiden tot overstroming en daardoor tot verlies van leven of eigendommen.



*\* Indien aangesloten op ongezuiverd water*

**Waarschuwing! Gevaar voor overstroming**

Als het toilet op ENIG moment ongezuiverd water gebruikt voor het spoelen, MAG er GEEN pomp voor het ongezuiverde water worden geïnstalleerd met een automatisch werkende vraagschakelaar. Als de waterklep of afvoerbuisverbindingen aan boord lekken, start de automatisch werkende pomp en kan een overstroming in de boot veroorzaken. Als u zich niet hieraan houdt, kan dit leiden tot verlies van eigendommen en overlijden.

**Waarschuwing! Gevaar voor overstroming**

Voordat u werkzaamheden aan dit product uitvoert moet u eerst controleren dat de stroom naar de eenheid is uitgeschakeld en dat de buitenboordkranen GESLOTEN zijn of in de UIT-stand staan. Als u zich niet hieraan houdt, kan dit leiden tot overstroming en daardoor tot verlies van leven of eigendommen.

**Waarschuwing! Gevaar van elektrische schok of brand**

Gebruik altijd de aanbevolen zekering, stroomonderbreker en draaddiameter. Als u zich niet hieraan houdt, kan er brand ontstaan en dat kan leiden tot verlies van leven of eigendommen.

**Waarschuwing!**

Een te volle vuilwatertank kan leiden tot ernstige schade aan het afvoersysteem. Zo kan de vuilwatertank scheuren en de vrijgekomen tankinhoud kan het onderruim binnestromen. Om dit te voorkomen adviseert Dometic een uitschakelrelais voor een volle tank te monteren in de elektronische regelmodule van het toilet. Het "vol"-signaal van de vuilwatertank kan worden gegenereerd door een optionele Dometic DTM01C-tankmonitor of het DTM04-tankmonitorsysteem voor vier tankniveaus.

### 3 Componenten

(afb. **1**, pagina 2)

Ref.	Beschrijving
A	Toilet met versnijdingspomp
B	Dometic spoelknop
C	Elektrische ingangsleding
D	Uitgangsledingen (2) naar toilet
E	Ingangsledingen (2) van spoelknop
F	Uitgangsledingen (2) naar aardaansluiting
G	Hardwareset voor vloermontage
H	Sjabloon voor vloermontage
I	Wandsjabloon voor spoelknop
J	Waterklepadapter
K	Kniestuk voor afvoer

(afb. **2**, pagina 2)

Ref.	Beschrijving
1	Antisifon-klep
2	Retourklep
3	Afvoeruitlaat
4	Aansluiting afvoeradapter
5	Aansluiting afvoerslang
6	Versnijdingspomp
7	Waterklep
8	Waterlijn - 0,5 inch NPT-aansluiting

Zie de volledige onderdelenlijst (separaat verpakt) voor meer informatie.

## 4 Specificaties

### 4.1 Materialen

Toilet: glaskeramik

Dometic drukknoppaneel: aluminium met poedercoating

Behuizing versnijdingspomp: glasgevuld polypropyleen

### 4.2 Minimale systeemvereisten

Elektrisch	stroomonderbreker	20 amp/12 V DC; 15 amp/24 V DC
	bedrading	12 ga. (tot 6,1 m/20 ft van onderbreker)
Watertoevoer	aansluiting	13 mm binnendiameter flexibele waterleiding
	debiet	7,6 lpm/2,0 gpm minimum
Afvoer	binnendiameter	38 mm/1,5 inch of 25 mm/1 inch minimum
	horizontale loop	30 m/98 ft maximum
	verticale loop	3 m/9,8 ft maximum

Deze gegevens kunnen zonder aankondiging worden gewijzigd.

### 4.3 Afmetingen (afb. 3, pagina 2)

#### Modellen in standaardhoogte

Ref.	Afmeting
A	467 mm / 18,375 in.
B	375 mm / 14,75 in.
C	467 mm / 18,375 in.
D	432 mm / 17 in. - brilhoogte
E	378 mm / 14,875 in.
F	813 mm / 32 in. - opstaande bril

#### Modellen met laag profiel

Ref.	Afmeting
A	381 mm / 15 in.
B	375 mm / 14,75 in.
C	467 mm / 18,375 in.
D	349 mm / 13,75 in. - brilhoogte
E	356 mm / 14 in.
F	711 mm / 28 in. - opstaande bril

#### Dometic spoelknoppaneel

(afb. 4, pagina 2)

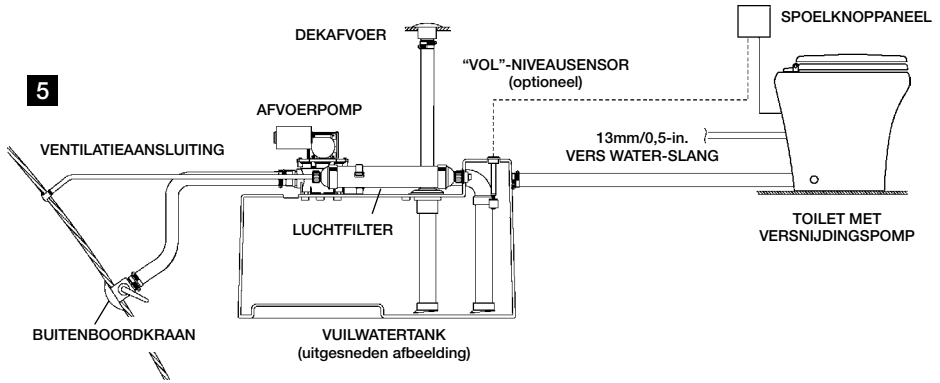
Ref.	Afmeting
A	83 mm / 3,25 in.
B	83 mm / 3,25 in.

## 5 Installatie

### 5.1 Schema vers water-systeem

Dometic toiletten met versnijdingspomp werken in combinatie met een onder druk staand verswater-systeem aan boord met een minimale debiet van 9,5 lpm voor het toilet. Vraagsystemen voor vers water aan boord bestaan uit een waterpomp die automatisch water uit een opslagtank pompt als

er een ergens in het buizensysteem een klep wordt geopend. Dometic toiletten uit de 8100-series zijn voorzien van een elektrisch werkende waterklep en een retourklep in de leiding om vervuiling van de drinkwatervoorziening aan boord te voorkomen.

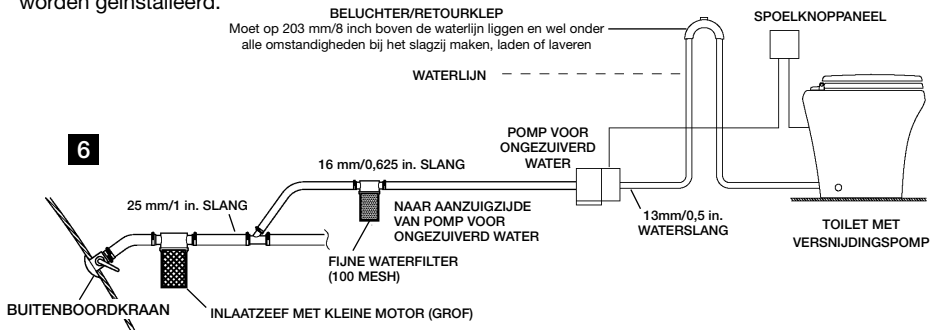


#### Opmerking

Gebruik alleen koud water. Is voorzien van een afsluitklep in de waterleiding voor onderhoudsdoeleinden.

### 5.2 Schema ongezuiverd water-systeem

Dometic toiletten met versnijdingspomp kunnen worden gespoeld met zee water, maar hiervoor is dan wel een aparte pomp nodig. De pomp wordt geregeld door spoelknop. Als de pomp voor het ongezuiverde water meer dan 18 amp stroom trekt, moet er een elektrisch relais van 12 of 24 V DC worden geïnstalleerd.



#### Opmerkingen

Gebruik alleen koud water. Breng een afsluitklep in de waterleiding aan voor onderhoudsdoeleinden. Gebruik primaire en secundaire filters voor ongezuiverd water. De pomp voor het ongezuiverde water MAG NIET van het vraagtype zijn. De pomp wordt geregeld door spoelknop. Installeer de beluchting zoals weergegeven. Deze moet zijn voorzien van een integrale retourklep die lucht toelaat in de leiding en overhevelen voorkomt.



### Waarschuwing! Gevaar van overstroming

Als het toilet op ENIG moment ongezuiverd water gebruikt voor het spoelen, MAG er GEEN pomp voor het ongezuiverde water worden geïnstalleerd met een automatisch werkende vraagschakelaar. Als de waterklep of afvoerbuisverbindingen aan boord lekken, start de automatisch werkende pomp en kan een overstroming in de boot veroorzaken. Als u deze waarschuwing niet in acht neemt, kan dit leiden tot verlies van eigendommen en overlijden.



## 5.3 Toiletsysteem met aansluitingen door de vloer

1. Het sjabloon voor vloermontage op de gewenste plaats leggen (afb. **7**, pag. 8). Voor een optimaal gebruikscomfort moet u ervoor zorgen dat de wanden en overige interne aansluitingen ten minste 279 mm van de middellijn van de sjabloon liggen.
2. Alle gaten en montagebeugelhoeken met een centerpons door de sjabloon maken.
3. Het sjabloon van de vloer nemen. Alle toegangs- en bevestigingsgaten boren zoals deze zijn aangegeven op de sjabloon. De hoeken van de montagebeugels NIET boren.
4. Met lange zeskantschroeven uit de vloermontageset, de vloerbeugels bevestigen met een 10 mm steeksleutel, waarbij de hoekmerkpunten als richtlijn gebruikt kunnen worden (afb. **8**, pag. 8).



### Opmerking

De zeskantschroeven niet volledig vastschroeven in de vloer – zorg ervoor dat de beugels een beetje kunnen verschuiven. De beugels worden vastgezet bij de bevestiging van het toilet op de beugels.

5. De plaats voor het spoelknoppaneel zodanig plannen, dat de elektrische aansluitingen en draden niet nat kunnen worden.
6. De wandsjabloon voor de knop van het MasterFlush-toilet uit de 8100-series gebruikt u om de plaats te markeren van de bevestigings- en toegangsgaten voor het wandknoppaneel. Boring met een diameter van 70 mm boren (afb. **9**, pag. 8).
7. De elektriciteit uitschakelen en een koperdraad van 14-gauge of groter (volgens ABYC-aanbevelingen) van de stroomonderbreker of zekering naar de muurknop en van de muurknop naar het toilet leggen. De draden aansluiten op geschikte voedingsdraden die zijn aangebracht aan de achterzijde van het wandknoppaneel met krimpdraadverbindingen. (Zie de bedradingsschema's, pag. 21-22 voor alle bedradingsopties.)
8. Het wandknoppaneel aan de wand bevestigen (afb. **9**, pag. 8).
9. De draad van het wandknoppaneel door het toegangsgat in de vloer naar het toilet leiden. De aarddraad naar het toilet leiden. (Zorg voor extra bedrading bij het toilet, zodat het toilet eenvoudig van de montagebeugels kan worden verwijderd voor onderhoud- of servicewerkzaamheden in de toekomst.) De bedrading definitief aansluiten.
10. Watertoevoer- en afvoerbuisen naar het toilet leiden volgens de systeemvereisten (paragraaf 4.2). Zorg voor een extra lange toevoer- en afvoerslang zodat deze eenvoudig kan worden aangesloten op het toilet (afb. **13**, pag. 9).
11. De waterklepadapter aansluiten op de flexibele waterleiding met een slangklem (afb. **10**, pag. 9).
12. De waterklepadapter stevig verbinden met de waterklepaansluiting (afb. **11**, pag. 9).
13. De bandklem op de afvoeruitlaat losmaken en de afvoeraansluiting/slangaansluiting verwijderen (afb. **12**, pag. 9).
14. De afvoeraansluiting en het binnenste einde van afvoerslang insmeren met afwasmiddel. De afvoeraansluiting in de afvoerslang duwen en aansluiten met twee slangklemmen. Ervoor zorgen dat de slangklemschroeven 180° uit elkaar worden geplaatst (afb. **13**, pag. 9). Het toilet in de buurt van de toegangsgaten plaatsen.



15. De draden van het spoelknoppaneel aansluiten op de toiletdraden (afb. **14**, pag. 9) volgens het juiste bedradingsschema (pag. 21-22). De aarddraden van het toilet aansluiten zoals is aangegeven.
16. Het toilet boven de vloerbeugels plaatsen en het toilet aan de achterkant optillen. De afvoeraansluiting en de slang in de afvoeruitlaat duwen en de klem vastzetten (afb. **14**, pag. 9).
17. Het toilet neerzetten zodat de vloerbeugels door de bevestigingsgaten te zien zijn (afb. **15**, pag. 9).
18. Watertoevoer en elektriciteit naar het toilet inschakelen en controleren op lekkages. „Spoel”-knop indrukken (afb. **4** 1, pag. 2). Als er een lekkage optreedt de verbinding vaster draaien.
19. De kunststof adapters van de vloerbeugelset in de bevestigingsgaten plaatsen. Het toilet aan de beugels bevestigen met de korte schroeven die zijn meegeleverd met de set.
20. De vloerbeugelschroeven bedekken met kunststof afdekkingen (afb. **16**, pag. 9).

## 5.4 Toiletsysteem met aansluitingen door de wand

1. Om de bedrading en de leidingen aan te sluiten door de wand, gebruikt u de vloersjabloon om de verticale middenlijn van ieder gat te lokaliseren.
2. Bandklem op afvoeruitlaat losmaken en de rechte afvoerslangaansluiting (afb. **2** 5, pag. 2) van de afvoeraansluiting verwijderen (afb. **2** 4, pag. 2).
3. Kniestuk voor de afvoeraansluiting (afb. **1** K, pag. 2) met afvoeraansluiting verbinden.
4. Het toilet op de goede positie plaatsen en de horizontale middenlijnen markeren (afb. **17**, pag. 10).
5. Gaten boren met de afmetingen die zijn aangegeven op de sjabloon.
6. De bedrading en buizen door de gaten leiden en vervolgens de installatieaanwijzingen voor het toilet volgen vanaf paragraaf 5.3, stap 10.

## 5.5 Toiletsysteem met uitschakelrelais bij „volle tank” en tankmonitorsysteem

Dometic toiletten met versnijdingspomp kunnen worden gebruikt in combinatie met het DTM01C tankmonitorsysteem en het DTM04 monitorsysteem voor de detectie van vier tankniveaus (separaat verkrijgbaar). Wanneer een dergelijk systeem is geïnstalleerd krijgt de toilet uit de 8100-serie elektriciteit via een uitschakelrelais voor „volle tank” (zie bedradingsschema, pagina 21-22.).

1. De elektrische ingangsdraden van het uitschakelrelais voor „volle tank” (die eerder werd geïnstalleerd volgens de gebruiksaanwijzing van het tankmonitorsysteem) naar het spoelknoppaneel van de 8100-serie leggen.
2. De installatieaanwijzingen voor het toilet volgens vanaf paragraaf 5.3, stap 10.

## 5.6 Bedradingschema's

Afb. **21**, pagina 21

### Basis 8100-series toilet

Afb. **22**, pagina 21

### Toiletsysteem uit de 8100-series met uitschakelrelais en „volle tank“-monitor

Afb. **23**, pagina 22

### Toiletsystemen uit de 8100-series met DTM04-monitorsysteem voor de detectie van meerdere niveaus in de vuilwatertank

Beschrijving
A Zekering of stroomonderbreker 12 V DC: 20 amp 24 V DC: 15 amp
B (+) V DC ingang
C Spoelknoppaneel
D Spoelen
E Water toevoegen/droog spoelen
F Toilet
G Motor
H Waterklep
I Rood
J Oranje
K Groen
L Zwart
M Wit
N Uitschakelrelais bij „volle tank“ (30 amp minimum)
O Stroomonderbreker of zekering volgens vereisten van pompfabrikant
P Relais req'd voor optionele pomp voor ongezuiverd water. Erop letten dat de relaisstroom voldoet aan de eisen van de waterpomp voor ongezuiverd water

Beschrijving
Q Zeewaterpomp
R „Tank vol“ vlotter
S DTM01C of TankWatch tankniveaumontor
T LED lampje
U Blauw - 24 V DC ingang
V Rood - 12 V DC ingang
W DTM04 paneel met uitschakelrelais
X Vuilwatertank
Y 1-amp zekering of stroomonderbreker
Z V DC aarde
AA (+) 12 V DC ingang
BB (+) 24 V DC ingang
CC <b>OPMERKINGEN:</b> Donkere lijnen geven koperdraad weer – de afmetingen moeten worden bepaald aan de hand van ABYC-aanbevelingen. Alle overige draad kan koperdraad zijn van 18-gauge.



### Waarschuwing – Gevaar van elektrische schok of brand

Gebruik altijd de aanbevolen zekering, stroomonderbreker en draaddiameter. Als u zich hieraan niet houdt, kan dit leiden tot verlies van eigendommen en overlijden.



### Opmerkingen

Leder toilet moet over een eigen stroomonderbreker of zekering met gemiddelde weerstand beschikken. Alle factoren moeten voldoen aan de elektrische ABYC/ISO-normen. Altijd krimpdraadverbindingen gebruiken. Geen lasdoppen gebruiken (deze gaan roesten).

## 6 Klatenservice

Er bestaat een sterk, wereldwijd netwerk om u te ondersteunen bij de service voor en het onderhoud van uw sanitaire systeem. Voor het bevoegde servicecenter bij u in de buurt kunt u tussen 8.00 en 17.00 uur (ET), van maandag tot vrijdag bellen.

U kunt ook contact opnemen of uw dealer vragen om contact op te nemen met de onderdelendistributeur in uw buurt voor een snelle reactie op uw vraag naar onderdelen. Zij beschikken over een complete voorraad van de Dometic-productlijn.

Telefoon:	1 800-321-9886	VS en Canada
	330-496-3211	Internationaal
Fax:	330-496-3097	VS en Canada
	330-496-3220	Internationaal
Web site:	<a href="http://www.DometicSanitation.com">http://www.DometicSanitation.com</a>	

## Indice

IT

1	Indicazioni sull'uso del manuale .....	52
2	Indicazioni generali di sicurezza .....	52 - 53
3	Componenti .....	54
4	Specifiche .....	55
5	Installazione .....	56 - 59
6	Servizio clienti .....	60

## 1 Indicazioni sull'uso del manuale



### Attenzione!

**Indicazione di sicurezza:** la mancata osservanza delle presenti istruzioni può causare danni materiali e compromettere il funzionamento del dispositivo.



### Nota

Ulteriori informazioni sull'uso del dispositivo.

fig. **1 A**, pagina **2** : si riferisce a un elemento in una illustrazione. In questo caso, alla voce A nella figura 1 a pagina 2.

## 2 Indicazioni generali di sicurezza

Il produttore non è da ritenersi responsabile in caso di reclami per danni che risultano dalle seguenti cause:

- Montaggio o collegamento errato
- Danni all'unità dovuti a cause meccaniche
- Modifiche effettuate all'unità senza previo permesso scritto da parte del produttore
- Uso per scopi diversi rispetto a quanto riportato nel presente manuale

### 2.1 Avvertenze: applicazioni nel settore nautico

Prima dell'installazione, della manutenzione e/o della messa in funzione del prodotto su un'imbarcazione è necessario leggere e comprendere bene le seguenti istruzioni. Modifiche apportate al presente prodotto possono causare danni materiali.

Domatic raccomanda di far eseguire l'installazione o la manutenzione del prodotto da parte di un tecnico/elettricista nautico qualificato. Un'installazione non corretta può causare danni all'attrezzatura, lesioni e perfino la morte del personale nautico. **DOMETIC NON SI ASSUME LA RESPONSABILITÀ PER DANNI ALL'ATTREZZATURA O PER IL FERIMENTO O LA MORTE DEL PERSONALE IN SEGUITO AD UN'INSTALLAZIONE, MANUTENZIONE O MESSA IN FUNZIONE ERRATA DEL PRESENTE PRODOTTO.**



### Attenzione! Rischio di allagamento!

Se il WC è collegato a QUALSIASI raccordo passascafo, i rubinetti di presa a mare, montati correttamente, DEVONO essere montati in tutte le tubature connesse ai raccordi passascafo. I rubinetti di presa a mare DEVONO essere facilmente accessibili a tutti gli utenti del WC oppure sui flessibili devono essere montate valvole secondarie in modo che siano facilmente accessibili. Tutte le valvole DEVONO essere valvole a passaggio pieno e adatte all'uso su imbarcazioni. Si sconsiglia l'uso di valvole a saracinesca comandate da una vite. La mancata osservanza delle suddette istruzioni può causare allagamento con conseguente rischio di morte o perdita della proprietà.



**Attenzione! Rischio di allagamento!**

Se il WC viene collegato a QUALSIASI raccordo passascafo, TUTTI i flessibili devono essere adatti ad essere utilizzati negli impianti igienico-sanitari nel settore nautico e devono essere fissati a QUALSIASI flessibile (come quelli collegati ai rubinetti di presa a mare, ai raccordi a U con sfiato o al WC) mediante due fascette a banda in acciaio inossidabile con filettatura a passo elicoidale. I raccordi DEVONO essere controllati regolarmente per verificarne l'integrità. La mancata osservanza delle suddette istruzioni può causare allagamento con conseguente rischio di morte o perdita della proprietà.

**Attenzione! Rischio di allagamento!**

Se il bordo del WC si trova al di sotto del livello di galleggiamento in QUALSIASI momento (in caso di inclinazione, stivaggio o assestamento) ed è collegato a QUALSIASI raccordo passascafo, sul tubo di presa\* o scarico devono essere installati raccordi a U con sfiato, posizionati correttamente, per evitare il riflusso dell'acqua di mare all'interno dell'imbarcazione. La mancata osservanza delle suddette istruzioni può causare allagamento con conseguente rischio di morte o perdita della proprietà.

*\* se collegato all'alimentazione dell'acqua grezza*

**Attenzione! Rischio di allagamento!**

Se per il risciacquo il WC impiega acqua grezza, NON DEVE essere installata una pompa dell'acqua grezza comandata mediante un interruttore ad azionamento automatico in base alla necessità. Se la valvola dell'acqua a bordo dell'imbarcazione o se qualsiasi collegamento idraulico dovesse presentare perdite, la pompa ad azionamento automatico si attiverebbe con rischio di allagamento dell'imbarcazione. La mancata osservanza delle suddette istruzioni può rappresentare rischio di morte o perdita della proprietà.

**Attenzione! Rischio di allagamento!**

Prima di iniziare a svolgere qualsiasi operazione sul presente prodotto, assicurarsi che l'alimentazione elettrica del WC sia disattivata e che i rubinetti di presa a mare siano nella posizione CHIUSO o OFF. La mancata osservanza delle suddette istruzioni può causare allagamento con conseguente rischio di morte o perdita della proprietà.

**Attenzione! Pericolo di shock elettrico o incendio!**

Utilizzare sempre fusibili, interruttori e cavi delle dimensioni consigliate. La mancata osservanza delle suddette istruzioni può causare incendi con conseguente rischio di morte o perdita della proprietà.

**Attenzione!**

Il riempimento eccessivo del serbatoio di ritenzione può danneggiare seriamente l'impianto igienico-sanitario causando ad esempio la rottura del serbatoio o la fuoriuscita del contenuto del serbatoio nella sentina. Per evitare un simile rischio, Dometic consiglia di utilizzare il relè di disattivazione per serbatoio "pieno" nel modulo di controllo elettronico del WC. Il segnale di "pieno" del serbatoio di ritenzione viene generato o da un monitor opzionale del serbatoio DTM01C Dometic o dal pannello di controllo a quattro livelli DTM04.

### 3 Componenti

(fig. **1**, pagina 2)

Rif.	Descrizione
A	WC di macerazione
B	Pulsante di risciacquo Dometic
C	Cavo elettrico d'ingresso
D	Cavi di uscita (2) verso il WC
E	Cavi d'ingresso (2) dal pulsante di risciacquo
F	Cavi di uscita (2) verso il collegamento di messa a terra
G	Kit hardware per montaggio a pavimento
H	Sagoma per montaggio a pavimento
I	Sagoma per montaggio a muro del pulsante di risciacquo
J	Adattatore per la valvola dell'acqua
K	Raccordo a gomito del flessibile di scarico

(fig. **2**, pagina 2)

Rif.	Descrizione
1	Valvola antisifone
2	Valvola di ritegno
3	Uscita gomito di scarico
4	Adattatore del flessibile di scarico
5	Raccordo rapido del flessibile di scarico
6	Pompa di macerazione
7	Valvola dell'acqua
8	Raccordo della valvola dell'acqua: NPT da 1,27 cm

Per ulteriori informazioni consultare l'elenco completo dei pezzi (fornito separatamente).

## 4 Specifiche

### 4.1 Materiali

WC: ceramica vetrosa

Corpo pompa di macerazione: polipropilene rinforzato con fibre di vetro

Pannello di comando Dometic: alluminio verniciato a polveri

### 4.2 Requisiti minimi dell'impianto

Sistema elettrico	Interruttore	20 amp/12 V DC; 15 amp/24 V DC
	Cavi	12 ga. (fino a 6,1 m/20 piedi di distanza dall'interruttore)
Alimentazione dell'acqua	Raccordo	Tubeo dell'acqua flessibile da 13 mm
	Portata	7,6 lpm/2,0 gpm minimi
Scarico	Diametro interno	38 mm (1,5 pollici) o 25 mm (1 pollice) minimi
	Corsa orizzontale	30 m (98 piedi) massimi
	Corsa verticale	3 m (9,8 piedi) massimi

Ci riserviamo il diritto di modificare le specifiche senza preavviso.

### 4.3 Dimensioni (fig. 3, pagina 2)

#### Modelli ad altezza standard

Rif.	Dimensioni
A	467 mm (18,375 pollici)
B	375 mm (14,75 pollici)
C	467 mm (18,375 pollici)
D	432 mm (17 pollici), altezza da terra
E	378 mm (14,875 pollici)
F	813 mm (32 pollici), con copriwater sollevato

#### Modelli ribassati

Rif.	Dimensioni
A	381 mm (15 pollici)
B	375 mm (14,75 pollici)
C	467 mm (18,375 pollici)
D	349 mm (13,75 pollici), altezza da terra
E	356 mm (14 pollici)
F	711 mm (28 pollici), con copriwater sollevato

#### Pannello di comando Dometic

(fig. 4, pagina 2)

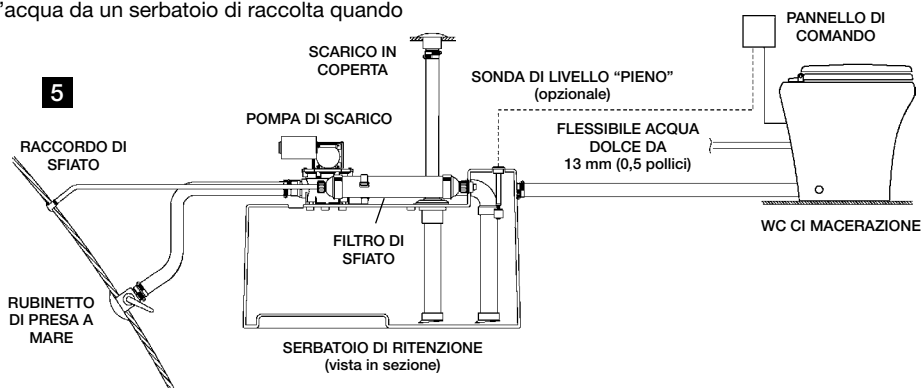
Rif.	Dimensioni
A	83 mm (3,25 pollici)
B	83 mm (3,25 pollici)

## 5 Installazione

### 5.1 Impianto ad acqua dolce

I WC di macerazione Dometic possono funzionare con un sistema di pressurizzazione dell'acqua dolce di bordo con una portata minima di 2,0 gpm nel WC. Gli impianti di bordo che richiedono acqua dolce includono una pompa dell'acqua che pompa automaticamente l'acqua da un serbatoio di raccolta quando

viene aperta una valvola nell'impianto idraulico. I WC Dometic della serie 8100 sono forniti di una valvola dell'acqua azionata elettricamente e di una valvola di ritegno in linea per evitare la contaminazione dell'alimentazione dell'acqua potabile di bordo.

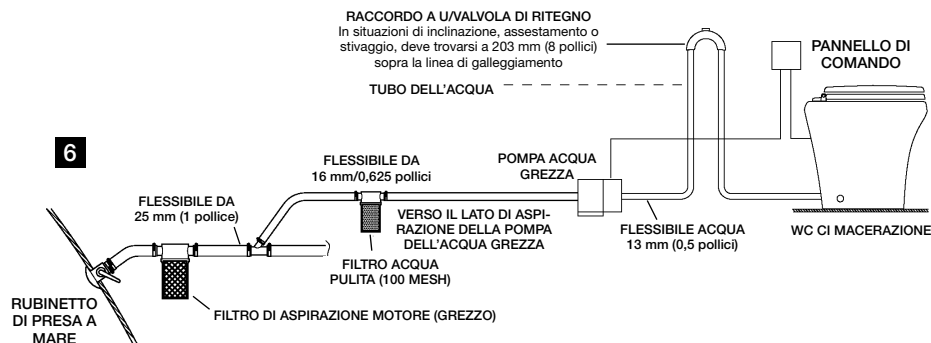


#### Nota

Utilizzare solamente acqua fredda. Includa valvola di arresto sul tubo dell'acqua per operazioni di manutenzione.

### 5.2 Impianto ad acqua grezza

Nei WC di macerazione Dometic per il risciacquo del vaso può essere impiegata acqua di mare ma in tal caso è necessaria una pompa destinata a tale scopo. La pompa è controllata dal pulsante per il risciacquo. Se la pompa dell'acqua grezza assorbe più di 18 amp di corrente, è necessario installare un relè elettrico da 12 o 24 V DC.



#### Nota

Utilizzare solamente acqua fredda. Inserire una valvola di arresto nel tubo dell'acqua per le operazioni di manutenzione. Utilizzare filtri dell'acqua grezza principali e secondari. La pompa dell'acqua grezza NON DEVE essere ad innesto diretto. La pompa è controllata dal pulsante per il risciacquo. Installare il raccordo a U con sfiato come illustrato. Deve essere dotato di valvola di controllo integrata per far entrare l'aria nel tubo in modo da evitare fenomeni di riflusso.



**Attenzione! Pericolo di allagamento!**

Se per il risciacquo il WC impiega acqua grezza, NON DEVE essere installata una pompa dell'acqua grezza azionata automaticamente mediante un interruttore a innesto diretto. Se la valvola dell'acqua a bordo dell'imbarcazione o se qualsiasi collegamento idraulico dovesse presentare perdite, la pompa ad azionamento automatico si attiverebbe con rischio di allagamento dell'imbarcazione. La mancata osservanza delle suddette istruzioni può rappresentare rischio di morte o perdita della proprietà.



### 5.3 WC con collegamento a pavimento

1. Collocare la sagoma di montaggio a pavimento nella posizione desiderata (fig. **7**, pag. 8). Per assicurare il massimo comfort all'utente, fare in modo che la linea mediana della sagoma si trovi a una distanza minima dalle pareti o da altri dispositivi interni di 279 mm.
2. Marcare i fori e i bordi delle staffe di montaggio come rappresentato sulla sagoma.
3. Rimuovere la sagoma dal pavimento. Praticare i fori di accesso e i fori per i dispositivi di fissaggio come indicato sulla sagoma. NON praticare fori sui bordi delle staffe di montaggio.
4. Utilizzando le viti lunghe a testa esagonale del kit di staffe da pavimento per WC, fissare le staffe da pavimento con una chiave a tubo da 10 mm, utilizzando i contrassegni ad angolo come guida (fig. **8**, pag. 8).

**Nota**

Non fissare saldamente le viti a testa esagonale al pavimento in modo da permettere alle staffe di muoversi leggermente. Le staffe verranno serrate completamente quando il WC verrà fissato alle staffe.

5. Predisporre la collocazione del pannello di comando in modo che i collegamenti elettrici e i cavi non si bagnino.
6. Utilizzare la sagoma del WC MasterFlush serie 8100 per contrassegnare la posizione dei dispositivi di fissaggio e dei fori di accesso del pannello di comando a muro. Praticare un foro del diametro di 70 mm (fig. **9**, pag. 8).
7. Con l'alimentazione elettrica spenta, far passare un cavo in rame avvolto a treccia da 14 gauge o più spesso dall'interruttore automatico o dal fusibile al pulsante a muro e dal pulsante a muro al WC. Collegare i cavi a fili adatti fissati sul retro del pannello di comando a muro con cavi crimpati. (Per tutte le opzioni di cablaggio, vedere gli schemi elettrici, pp. 21-22).
8. Fissare il pannello di comando al muro (fig. **9**, pag. 8).
9. Orientare il cavo del pannello di controllo verso il WC facendolo passare attraverso il foro praticato nel pavimento. Orientare il cavo di collegamento a terra verso il WC. (Far sì che il cavo del WC sia più lungo del necessario per rimuovere con più facilità il WC dai supporti di montaggio per la manutenzione.) Realizzare i collegamenti finali.
10. Orientare i tubi di alimentazione dell'acqua e di scarico verso il WC secondo i requisiti richiesti per l'impianto (capitolo 4.2). Far sì che il tubo di alimentazione dell'acqua e quello di scarico abbiano una lunghezza superiore al necessario, in modo da garantire il collegamento con il WC (fig. **13**, pagina 9).
11. Collegare l'adattatore della valvola dell'acqua al tubo flessibile dell'acqua con una fascetta serratubo (fig. **10**, pag. 9).
12. Collegare saldamente l'adattatore della valvola dell'acqua al raccordo della valvola dell'acqua (fig. **11**, pag. 9).
13. Allentare la fascetta a banda sull'uscita del gomito di scarico e rimuovere l'adattatore del flessibile di scarico/raccordo rapido del flessibile di scarico (fig. **12**, pag. 9).

14. Lubrificare il raccordo rapido del flessibile di scarico e l'estremità interna del tubo di scarico con detergente liquido per piatti. Inserire il raccordo rapido del flessibile di scarico nel tubo di scarico e collegare con due fascette serratubo. Assicurarsi di posizionare le viti delle fascette a 180° l'una dall'altra (fig. **13**, pag. 9). Collocare il WC vicino ai fori d'accesso.
15. Collegare i cavi del pannello di comando ai cavi del WC (fig. **14**, pag. 9) seguendo lo schema elettrico adatto (pp. 21-22). Collegare i cavi di messa terra dal WC come indicato.
16. Collocare il WC sulle staffe da pavimento e inclinarlo dalla parte posteriore. Inserire il raccordo rapido del flessibile di scarico e il tubo nell'uscita del raccordo di scarico e serrare la fascetta (fig. **14**, pag. 9).
17. Abbassare il WC in modo che le staffe da pavimento siano visibili attraverso i fori per i dispositivi di fissaggio (fig. **15**, pag. 9).
18. Aprire l'alimentazione dell'acqua e l'alimentazione elettrica del WC e controllare la presenza di eventuali perdite. Premere il pulsante per il risciacquo (fig. **4** 1, pag. 2). In caso di perdite, serrare i raccordi.
19. Inserire nei fori per i dispositivi di fissaggio gli adattatori di plastica del kit di staffe da pavimento. Fissare il WC alle staffe utilizzando le viti corte presenti nel kit.
20. Coprire le viti delle staffe da pavimento con tappi in plastica (fig. **16**, pag. 9).

#### 5.4 WC con collegamenti a parete

1. Per fare passare i collegamenti dei cavi e dei tubi nella parete, utilizzare la sagoma da muro in modo da individuare la linea mediana verticale di ogni foro.
2. Allentare la fascetta a banda sull'uscita del gomito di scarico e rimuovere il raccordo dritto del tubo di scarico (fig. **2** 5, p. 2) dal raccordo dell'adattatore del flessibile di scarico (fig. **2** 4, p. 2).
3. Fissare il raccordo a gomito del flessibile di scarico (fig. **1** K, p. 2) al raccordo dell'adattatore del flessibile di scarico.
4. Posizionare il WC nella posizione esatta e contrassegnare le linee mediane orizzontali (fig. **17**, pag. 10).
5. Praticare fori con le dimensioni indicate sulla sagoma.
6. Far passare i cavi e i tubi attraverso i fori, quindi seguire le istruzioni relative all'installazione del WC partendo dal capitolo 5.3, passaggio 10.

#### 5.5 Sistema WC con relè per disattivazione a “serbatoio pieno” e sistema di controllo del serbatoio

I WC di macerazione Dometic funzionano con i sistemi Dometic per il controllo del serbatoio DTM01C e DTM04 a quattro livelli (disponibili separatamente). In queste installazioni, i WC della serie 8100 sono alimentate dal relè per la disattivazione a “serbatoio pieno” (vedere schemi elettrici, pag. 21-22).

1. Far passare i cavi di alimentazione d'ingresso dal relè per la disattivazione a “serbatoio pieno” (precedentemente installato seguendo le istruzioni del sistema di controllo del serbatoio) al pannello di controllo della serie 8100.
2. Seguire le istruzioni relative all'installazione del WC partendo dal capitolo 5.3, passaggio 10.

## 5.6 Schema elettrico

Fig. **21**, pag. 21

### WC serie Basic 8100

Fig. **22**, pag. 21

### Sistema WC della serie 8100 con relè per disattivazione e controllo del “serbatoio pieno”

Fig. **23**, pag. 22

### Sistema WC della serie 8100 con sistema di controllo multilivello DTM04 del serbatoio di ritenzione

Descrizione
A Fusibile o interruttore 12 V DC: 20 amp 24 V DC: 15 amp
B + V DC ingresso
C Pannello di comando
D Risciacquo
E Aggiunta d'acqua/scarico a vuoto
F WC
G Motore
H Valvola dell'acqua
I Rosso
J Arancione
K Verde
L Nero
M Bianco
N Relè per disattivazione a “serbatoio pieno” (minimo 30 amp)
O Interruttore automatico o fusibile in base ai requisiti del produttore della pompa
P Relè per pompa acqua grezza opzionale. Assicurarsi che la corrente nominale risponda ai requisiti della pompa acqua grezza

Descrizione
Q Pompa acqua mare
R Galleggiante serbatoio “pieno”
S DTM01C o sistema di controllo del livello del serbatoio TankWatch
T Lampadina LED
U Blu - 24 V DC ingresso
V Rosso - 12 V DC ingresso
W Pannello DTM04 con relè per disattivazione
X Serbatoio di ritenuta dei rifiuti
Y Interruttore automatico da 1 amp o fusibile
Z Messa a terra V DC
AA + 12 V DC
BB + 24 V DC
CC NOTE: Le righe in grassetto rappresentano i cavi in rame avvolti a treccia; per le dimensioni riferirsi alle raccomandazioni ABYC. Per tutti gli altri cavi si possono utilizzare cavi in rame avvolti a treccia da 18 gauge.



#### Pericolo di shock elettrico o incendio!

Utilizzare sempre fusibili, interruttori e cavi delle dimensioni consigliate. La mancata osservanza delle suddette istruzioni può rappresentare rischio di morte o perdita della proprietà.



#### Nota

Ogni WC deve disporre del proprio interruttore o fusibile a ritardo medio.

Tutti gli elementi dell'installazione devono rispettare gli standard elettrici ABYC/ISO.

Utilizzare sempre collegamenti con cavi crimpati. Non utilizzare dadi spinati (sono corrosivi).

## 6 Servizio clienti

Per effettuare la manutenzione del vostro impianto igienico-sanitario è disponibile un'efficiente rete mondiale di assistenza. Per contattare il centro di assistenza autorizzato più vicino, chiamare fra le 8:00 e le 17:00 dal lunedì al venerdì (ET).

Per rispondere velocemente alle vostre richieste di pezzi di ricambio, potete anche contattare o far contattare dal vostro rivenditore locale il distributore di ricambi più vicino, che dispone della serie completa di ricambi della linea di prodotti Dometic.

Telefono:	1 800-321-9886 330-496-3211	U.S.A. e Canada Linea internazionale
Fax:	330-496-3097 330-496-3220	U.S.A. e Canada Linea internazionale
Sito web:	<a href="http://www.Dometic.com">http://www.Dometic.com</a>	

## Sisällysluettelo

FI

1	Käsikirjan käyttöä koskevia huomautuksia . . . . .	61
2	Yleiset turvallisuusohjeet . . . . .	61 - 62
3	Komponentit . . . . .	63
4	Spesifikaatiot . . . . .	64
5	Asennus . . . . .	65 - 68
6	Asiakaspalvelu . . . . .	69

## 1 Käsikirjan käyttöä koskevia huomautuksia



### Huomio!

**Turvallisuusohje:** Tämän ohjeen noudattamatta jättäminen voi aiheuttaa materiaalivahinkoja ja haitata laitteen toimintaa.



### Huomautus

Lisätietoja laitteen käytöstä.

**kuva 1 A, sivu 2 :** Tämä viittaa kuvassa näkyvään kohteeseen. Tässä esimerkissä kohteeseen A kuvassa 1 sivulla 2.

## 2 Yleiset turvallisuusohjeet

Valmistaja ei ole vastuussa vahingonkorvausvaateista, jotka johtuvat seuraavista syistä:

- Väärä asennus tai liitäntä
- Yksikön vahingoittuminen mekaanisten vaikutusten takia
- Laitteeseen ilman valmistajan nimenomaista kirjallista lupaa tehdyt muutokset
- Käyttö muihin kuin tässä käsikirjassa osoitettuihin tarkoituksiin

### 2.1 Varoituksia – Venesovellukset

Seuraavat tiedonannot täytyy lukea ja ymmärtää ennen tämän tuotteen asentamista, huoltoa ja/tai käyttämistä veneessä. Muutosten tekeminen tähän tuotteeseen saattaa johtaa materiaalivahinkoihin.

Dometic suosittelee, että tämän tuotteen asentaa ja sen huoltaa pätevä veneteknikko tai -sähkömies. Epäasiallisesta asennuksesta voi aiheutua laitteiston vaurioituminen, henkilökunnan loukkaantuminen tai kuolema. DOMETIC EI OTA MITÄÄN VASTUUTA TAI KORVAUSVELVOLLISUUTTA LAITTEISTON VAURIOTUMISESTA TAI HENKILÖSTÖN LOUKKAANTUMISESTA TAI KUOLEMASTA, JOKA AIHEUTUU TÄMÄN LAITTEEN EPÄASIALLISESTA ASENNUKSESTA, HUOLLOSTA TAI KÄYTÖSTÄ .



### Huomio! Tulvimisvaara!

Jos wc liitetään YHTEENKÄÄN rungon lävistävään liittimeen, asianmukaisesti asennetut runkoventtiilit TÄYTYY asentaa kaikkiin putkiin, jotka on yhdistetty rungon lävistävään liittimeen.



Runkoventtiilien TÄYTYY olla wc:n kaikkien käyttäjien helposti tavoitettavissa tai letkuissa täytyy olla sekundääriventtiilit paikkoihin, joissa ne ovat helposti tavoitettavissa. Kaikkien venttiilien TÄYTYY vastata läpimitaltaan putkia ja olla laadultaan merikäyttöön sopivia. Kiinni ruuvattavia luistiventtiilejä ei suositella. Jos et tee näin, seurauksena voi olla veneen täyttyminen vedellä sekä omaisuuden ja hengen menetys.

**Huomio! Tulvimisvaara!**

Jos wc liitetään YHTEENKÄÄN rungon lävistävään liittimeen, KAIKKIEN joustavien letkujen täytyy venekäyttöön sopivaa saniteettilaatua ja ne täytyy lukita JOKAISEEN liittimeen (kuten runkovoventtiileihin, tuuletettuun silmukkaan tai wc:hen) kahdella ruostumattomasta teräksessä valmistetulla ruuvikiristeisellä letkukiristimellä. Liitosten kunto TÄYTYY tarkastaa säännöllisesti. Jos näin ei tehdä, seurauksena voi olla veneen täytyminen vedellä sekä omaisuuden ja hengen menetys

**Huomio! Tulvimisvaara!**

Jos wc:n reuna on MILLOINKAAN vesilinjan alapuolella (missään kallistus- kuorma- tai trimmitilassa) ja se on liitetty YHTEENKÄÄN rungon läpäisevään liittimeen, otto-\* ja poistoputkukseen TÄYTYY asentaa oikein sijoitetut tuuletetut silmukat, jotta meriveden mahdollinen takaisinvirtaus veneeseen estetään. Jos et tee näin, seurauksena voi olla veneen täytyminen vedellä sekä omaisuuden ja hengen menetys.



*\* jos liitetty raakaveteen*

**Huomio! Tulvimisvaara!**

Jos wc:ssä käytetään huuhteluun MILLOINKAAN raakavettä, automaattiohjauskytkimellä toimivaa raakavesipumppua EI SAA asentaa. Jos veneen vesiventtiili tai mikä tahansa putkiston liitos sattuisi vuotamaan, automaattitoiminen pumppu käynnistyisi ja saattaisi täyttää veneen vedellä. Jos näin ei tehdä, seurauksena voi olla omaisuuden ja hengen menetys.

**Huomio! Tulvimisvaara!**

Ennen kuin aloitat mitään työtä tämän tuotteen parissa, varmista, että laitteen kaikki sähkösyötöt on kytketty pois päältä ja että runkovoventtiilit ovat KIINNI- tai POIS-asennossa. Jos et tee näin, seurauksena voi olla veneen täytyminen vedellä sekä omaisuuden ja hengen menetys.

**Huomio! Sähköisku- tai tulipalovaara**

Käytä aina suositeltua sulaketta, katkaisinta ja johtokokoa. Jos et tee näin, seurauksena voi olla tulipalo, joka johtaa omaisuuden ja hengen menetykseen.

**Huomio!**

Keräyssäiliön ylitäyttäminen voi aiheuttaa saniteettijärjestelmään vakavia vaurioita kuten keräyssäiliön halkeamisen ja säiliön sisällön valumisen pilssiveteen. Tämän mahdollisuuden poissulkemiseksi, Dometic suosittelee säiliö "täynnä" -katkaisurelettä wc:n elektroniseen ohjausmoduuliin. Keräyssäiliön "täynnä"-signaali voidaan luoda optiona saatavissa olevalla Dometic DTM01C-säiliömittarijärjestelmällä tai nelitasoisella DTM04-säiliömittarijärjestelmällä.

### 3 Komponentit

(kuva. **1**, sivu 2)

Sel.	Kuvaus
A	Silppuripumppu-wc
B	Dometic-huuhtelukytin
C	Sähkön syöttöjohto
D	Lähtöjohdot (2) wc:hen
E	Syöttöjohdot (2) huuhtelukytimestä
F	Lähtöjohdot (2) maaliitäntään
G	Lattia-asennuksen laitteistosarja
H	Sähkönsyöttöjohdot raakavesipumppuun (opt.)
I	Lattia-asennuksen sapluuna
J	Vesiventtiilin adapteri
K	Tyhjennyksen kulmaliitin

(kuva. **2**, sivu 2)

Sel.	Kuvaus
1	Lappoventtiili
2	Takaiskuventtiili
3	Tyhjennyssilmukan lähtö
4	Tyhjennyksen sovituskappale
5	Tyhjennysletkun liitin
6	Silppuripumppu
7	Vesiventtiili
8	Vesiventtiilin - 0,5 tuuman NPT

Katso lisätietoja täydellisestä osalistasta (pakattu erikseen).

## 4 Spesifikaatiot

### 4.1 Materiaalit

Wc: lasitettu keramiikka

Silppuripumpun runko: lasitöyhtäinen polypropyleeni

Dometic-huuhtelukytikimen paneeli: jauhepinnoitettu alumiini

### 4.2 Järjestelmän vähimmäisvaatimukset

Sähköinen	Katkaisin	20 A/12 V DC; 15 A/24 V DC
	Johdotus	12 gallonaa (jopa 6,1 m/ 20 jalkaa katkaisimesta)
Vesisyöttö	Liitin	Joustava vesiputki 13 mm sisähalkaisijalla
	Virtaus	minimi 7,6 litraa minuutissa/2,0 gallonaa minuutissa
Paine	Sisähalkaisija	minimi 38 mm/1,5 tuumaa tai 25 mm/1 tuumaa
	Vaakasuora kulku	maksimi 30 m/98 jalkaa
	Pystysuora kulku	maksimi 3 m/9,8 jalkaa

Oikeus spesifikaatioiden muutoksiin ilman eri huomautusta pidätetään.

### 4.3 Mitat (kuva. 3, sivu 2)

#### Standardikorkuiset mallit

Sel.	Mitta
A	476 mm / 18,375 tuumaa
B	375 mm / 14,75 tuumaa
C	476 mm / 18,375 tuumaa
D	432 mm / 17 tuumaa - istuinkorkeus
E	378 mm / 14,875 tuumaa
F	813 mm / 32 tuumaa - istuin kansi ylhäällä

#### Matalaprofiilimallit

Sel.	Mitta
A	381 mm / 15 tuumaa
B	375 mm / 14,75 tuumaa
C	476 mm / 18,375 tuumaa
D	349 mm / 13,75 tuumaa - istuinkorkeus
E	356 mm / 14 tuumaa
F	711 mm / 28 tuumaa - istuin kansi ylhäällä

### Dometic-huuhtelukytikimen paneeli

(kuva 4, sivu 2)

Sel.	Mitta
A	83 mm / 3,25 tuumaa
B	83 mm / 3,25 tuumaa

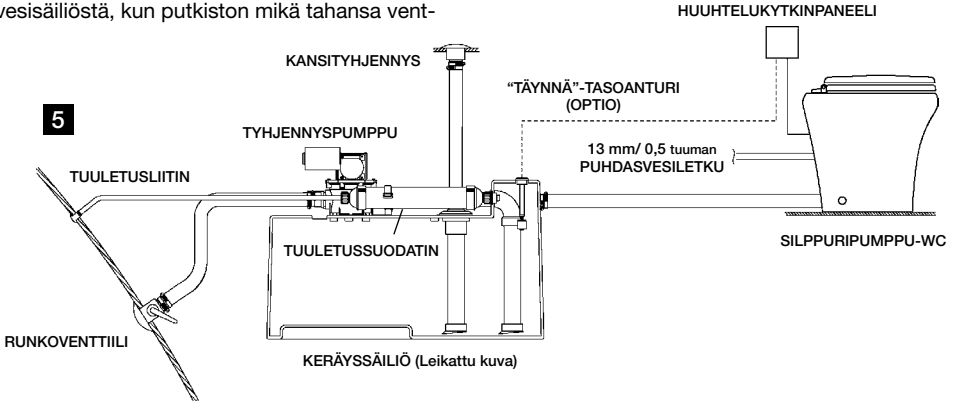


## 5 Asennus

### 5.1 Puhdasvesijärjestelmän sijoitus

Dometicin silppuripumppu-wc:t voivat toimia veneen paineistetussa puhdasvesijärjestelmässä, jossa wc:ssä minimivirtaus on 7,6 litraa minuutissa. Veneiden puhdasvesijärjestelmät sisältävät vesipumpun, joka ottaa vettä automaattisesti vesisäiliöstä, kun putkiston mikä tahansa vent-

tiili avataan. Dometic 8100 -sarjan wc:issä on varusteena sähköisesti toimiva vesiventtiili ja yhdysrakenteinen lappoventtiili, joilla estetään veneen juomakelpoisen veden saastuminen.

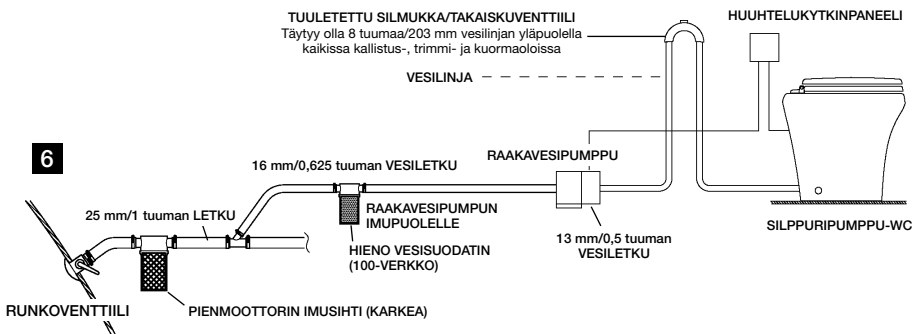


#### Huomautus

Käytä vain kylmää vettä. Sisällytä vesiputkeen huoltotarkoituksia varten katkaisuventtiili.

### 5.2 Raakavesijärjestelmän sijoitus

Dometic-silppuripumppu-wc:t voidaan huuhdella merivedellä, mutta ne tarvitsevat tätä tarkoitusta varten erillisen pumpun. Pumpua ohjaa huuhtelukytin. Jos raakavesipumppu ottaa enemmän kuin 18 A virtaa, tulee asentaa 12- tai 24 V DC -sähkorele.



#### Huomautuksia

Käytä vain kylmää vettä. Sisällytä vesiputkeen huoltotarkoituksia varten katkaisuventtiili.

Käytä ensiö- ja toisioraakavesisuodattimia. Raakavesipumppu EI SAA olla itsestäänkäynnistyvä. Pumpua ohjaa huuhtelukytin. Asenna tuuletettu silmukka kuvatulla tavalla. Sen täytyy olla varustettu yhdysrakenteisella takaiskuventtiilillä, joka päästää ilmaa putkeen lappoilmion estämiseksi.



### Huomio! Tulvimisvaara

Jos wc:ssä käytetään huuhteluun MILLOINKAAN raakavettä, automaattiohjauskytkimellä toimivaa raakavesipumppua EI SAA asentaa. Jos veneen vesiventtiili tai mikä tahansa putkiston liitos sattuisi vuotamaan, automaattitoiminen pumppu käynnistyisi ja saattaisi täyttää veneen vedellä. Jos tätä varoitusta ei noudateta, seurauksena voi olla omaisuuden ja hengen menetys.



## 5.3 Wc-järjestelmä liitettynä lattian läpi

1. Aseta lattia-asennuksen sapluuna haluamaasi paikkaan (kuva **7** , sivu 8). Ihanteellisen käyttömukavuuden vuoksi varmista, että seinät tai muut sisäosat ovat vähintään 279 mm päässä sapluunan keskiliinjasta.
2. Paina kaikkien reikien keskipisteisiin ja asennuspidikkeen kulmiin merkit sapluunan läpi.
3. Ota sapluuna pois lattialta. Poraa kaikki läpivienti- ja kiinnitysreiät sapluunan osoittamalla tavalla. ÄLÄ poraa asennuskehysten kulmiin.
4. Asenna lattiakehykset wc:n lattiakehyssarjan kuusioruuveilla, kiristä lattiakehykset 10 mm avaimella, käytä kulmamerkkejä apuna (kuva **8** , sivu 8).



### Huomautus

Älä kiristä kuusioruuveja täysin lattiaan – anna kehysten liukua hieman. Kehykset kiristyvät, kun wc kiinnitetään kehyksiin.

5. Suunnittele huuhtelukytkimen paneelin paikka siten, että sähköliitännät ja -johdot eivät voi kastua.
6. Käytä MasterFlush 8100 -sarjan wc:n seinäkytkinsapluunaa merkitäksesi seinäkytkinpaneelin kiinnittimen ja läpivientireikien paikat. Poraa halkaisijaltaan 70 mm kokoinen reikä (kuva **9** , sivu 8).
7. Vedä sähkön ollessa pois kytkettynä 14-säikeinen tai vahvempi kierretty kuparijohto (ABYC-suositusten mukaisesti) kytkimestä tai sulakkeesta seinäkytkimeen ja seinäkytkimestä wc:hen. Yhdistä johdot seinäkytkinpaneelin takana oleviin vastaaviin johtimiin abiko-tyyppisillä liittimillä. (Kaikki johdotusmahdollisuudet, katso johdotuskaavioita, s. 21-22).
8. Kiinnitä seinäkytkinpaneeli seinään (kuva **9** , sivu 8).
9. Vedä seinäkytkinpaneelin johdot wc:hen lattian läpivientireiän kautta. Vedä maaliitántä wc:hen. (Jätä wc:n johtoihin löysää, jotta wc voidaan irrottaa helposti kiinnityspidikkeestä tulevaa huoltoa tai korjausta varten.) Tee lopulliset johdotusliitännät.
10. Vedä veden syöttö- ja poistoputkitus wc:hen järjestelmän vaatimuksia vastaavalla tavalla (kappale 4.2). Jätä veden syöttö- ja tyhjennysletkuihin hieman ylimääräistä pituutta, jotta yhdistäminen wc:hen on helppoa (kuva **13** , sivu 9).
11. Liitä vesiventtiilin adapteri joustavaan vesijohtoon letkuliitimellä (kuva **10** , sivu 9).
12. Liitä vesiventtiilin adapteri varmasti vesiventtiilin liittimeen (kuva **11** , sivu 9).
13. Avaa tyhjennysilmukan lähtöpään letkukiristin ja ota pois tyhjennyksen sovitinkappale/letkuliitin-kokonaisuus (kuva **12** , sivu 9).
14. Voitele tyhjennysliittimen ja tyhjennysletkun pään sisäpuoli nestemäisellä astianpesuaineella. Työnnä tyhjennysliitin tyhjennysletkuun ja kiinnitä se kahdella letkukiristimellä. Varmista, että asetat letkukiristinten ruuvit 180° päähän toisistaan (kuva **13** , sivu 9). Aseta wc lähelle läpivientireikiä.
15. Liitä huuhtelukytkimen paneelin johdot wc:n johtoihin (kuva **14** , sivu 9) vastaavan johdotuskaavion mukaan (s. 21-22). Liitä wc:n maajohdot osoitetulla tavalla.
16. Aseta wc lattiakehysten päälle ja nosta wc:tä ylös takareunastaan. Työnnä tyhjennysjärjestelmän liitin ja letku ylös tyhjennysilmukan lähtöpäähän ja kiristä vannekiristin (kuva **14** , sivu 9).

17. Laske wc alas niin, että lattiakehykset näkyvät kiinnitysreikien läpi (kuva **15**, sivu 9).
18. Kytke wc:n vesisyöttö ja sähkö päälle ja tarkista, näkyykö vuotoja. Paina ”huuhtelu”-kytkintä (kuva **4** 1, sivu 2). Jos havaitset vuodon, kiristä liitos.
19. Aseta muoviset lattiakehyssarjan sovittimet kiinnitinten reikiin. Kiinnitä wc kehyksiin sarjaan kuuluvilla lyhyillä ruuveilla.
20. Peitä lattiakehysten ruuvit muovitulpilla (kuva **16**, sivu 9).

#### 5.4 Wc-järjestelmä liitettynä seinän läpi

1. Vetääksesi johdotuksen ja putkituksen seinän läpi käytä lattiasapluunaa jokaisen reiän pystysuoran keskikohdan paikallistamiseen.
2. Avaa tyhjennysilmukan lähtöpään letkukiristin ja irrota suora tyhjennysletkun liitin (kuva **2** 5, s. 2) tyhjennysadapterin liittimestä (kuva **2** 4, s. 2).
3. Liitä tyhjennyksen kulmaliitin (kuva **1** K, s. 2) tyhjennysadapterin liittimeen.
4. Aseta wc oikeaan paikkaan ja merkitse vaakasuorat keskilinjat (kuva **17**, s. 10).
5. Poraa sapluunan osoittaman kokoiset reiät.
6. Vedä johdotus ja putkitus reikien läpi, seuraa sen jälkeen wc:n asennusohjeita, jotka alkavat kohdastakappale 5.3, askel 10.

#### 5.5 Wc-järjestelmä, jossa ”säiliö täynnä”-katkaisurele ja säiliömittarijärjestelmä

Dometic-silppuri-wc:t toimivat Dometicin DTM01C-säiliömittarin ja nelitasoisen DTM04-säiliömittarijärjestelmän kanssa (saatavissa erikseen). Näissä asennuksissa 8100-sarjan wc saa sähkönsä ”säiliö täynnä”-katkaisureleen kautta (katso johdotuskaavioita, sivu 21-22).

1. Vedä sähkönsyöttöjohdot ”säiliö täynnä”-katkaisureleestä (asennettu aiemmin säiliömittarijärjestelmän oheiden mukaisesti) 8100-sarjan huuhtelukytkinpaneeliin.
2. Noudata wc:n asennusohjeita alkaen kappaleesta 5.3, askeleesta 10.

## 5.6 Johdotuskaavio

Kuva **21**, sivu 21

### Perus 8100-sarjan wc

Kuva **22**, sivu 21

### 8100-sarjan wc-järjestelmä, jossa on katkaisurele ja "säiliö täynnä"-tarkkailu

Kuva **23**, sivu 22

### 8100-sarjan wc-järjestelmä, jossa on monitasoinen DTM04-säiliömittarijärjestelmä

Kucaus
A Sulake tai katkaisin 12 V DC: 20 A 24 V DC: 15 A
B (+) V DC -tulo
C Huuhtelukytikimen paneeli
D Huuhtelu
E Lisää vettä/kuiva huuhtelu
F WC
G Moottori
H Vesiventtiili
I Punainen
J Oranssi
K Vihreä
L Musta
M Valkoinen
N "Säiliö täynnä"-katkaisurele (30-A minimi)
O Katkaisin tai sulake, jonka koko vastaa pumpun valmistajan vaatimuksia
P Rele tarvitaan optioraakavesipumpulle. Varmista, että releen virtamitoitus vastaa raakavesipumpun vaatimuksia

Kucaus
Q Raakavesipumppu
R "Täynnä"-säiliöuimuri
S "DTM01C" tai "TankWatch"-säiliötasomittari
T LED -valo
U Sininen - 24 V DC -tulo
V Punainen - 12 V DC -tulo
W DTM04-paneeli ja katkaisurele
X Jätekeräyssäiliö
Y 1-A sulake tai katkaisin
Z V DC -maa
AA (+) 12 V DC
BB (+) 24 V DC
CC HUOMAUTUKSIA: Paksut viivat merkitsevät kierrettyä kuparijohtoa – koko tulee määritellä ABYC-suositusten mukaan. Kaikki muut johdot voivat olla 18-säikeistä kierrettyä kuparijohtoa.



### Huomio – Sähköisku- tai tulipalovaara

Käytä aina suositeltua sulaketta, katkaisinta ja johtokokoa. Jos näin ei tehdä, seurauksena voi olla omaisuuden ja hengen menetys.



### Huomautus

Jokaisella wc:llä täytyy olla oma keskiviiveinen katkaisimensa tai sulake.

Kaikkien asennusseikkojen täytyy vastata ABYC/ISO-sähköstandardveja.

Käytä aina abiko-tyyppisiä johtoliittimiä. Älä käytä tulppaliittimiä (niissä ilmenee korroosiota).

## 6 Asiakaspalvelu

Palveluksessasi on vahva maailmanlaajuinen verkosto, joka avustaa saniteettijärjestelmäsi huoltamisessa ja kunnossapidossa. Käänny lähelläsi olevan valtuutetun huoltokeskuksen puoleen soittamalla puhelimella kello 8:00 - 5:00 (ET) maanantai-perjantai.

Saadaksesi nopeasti tarvitsemasi varaosat, voit myös ottaa yhteyttä lähimpään osatoimittajaasi tai pyytää paikallista myyjääsi tekemään niin. Heillä on täydellinen luettelo kaikista Dometic-tuotteista.

Puhelin:	1 800-321-9886 330-496-3211	U.S.A. ja Kanada Kansainvälinen
Faksi:	330-496-3097 330-496-3220	U.S.A. ja Kanada Kansainvälinen
Verkkosivu:	<a href="http://www.Dometic.com">http://www.Dometic.com</a>	

## Innehållsförteckning

SV

1	Använda bruksanvisningen . . . . .	70
2	Allmänna säkerhetsanvisningar . . . . .	70 - 71
3	Komponenter . . . . .	72
4	Specifikationer . . . . .	73
5	Installation . . . . .	74 - 77
6	Kundtjänst . . . . .	78

## 1 Använda bruksanvisningen



### Varning!

**Säkerhetsanvisning:** Om inte bruksanvisningen observeras kan material skadas och försämra apparatens funktion.



### Observera

tilläggsinformationen för användning av apparaten.

**bild 1 A, sidan 2 :** Detta avser en detalj i en bild. I detta exempel, komponent A i bild 1 på sidan 2.

## 2 Allmänna säkerhetsanvisningar

Tillverkaren kan inte hållas ansvarig för krav angående skador som orsakas av följande:

- Felaktig montering eller anslutning
- Skador på enheten från mekanisk påverkan
- Ändringar på enheten utan uttryckligt, skriftligt tillstånd från tillverkaren
- Annan användning än den som beskrivs i bruksanvisningen

### 2.1 Varningar – användning på båtar

Innan produkten installeras, underhålls och/eller används på en båt ska nedanstående anvisningar läsas och efterföljas noggrant. Ändringar på produkten kan leda till saksador.

Dometic rekommenderar att endast behöriga elektriker/servicetekniker för båtar installerar och underhåller den här utrustningen. Felaktig installation kan leda till skador på utrustningen och till svåra eller livsfarliga skador. **DOMETIC ÖVERTAR INGET ANSVAR FÖR SKADOR PÅ UTRUSTNINGEN, PERSONSKADOR ELLER DÖDSFALL SOM ORSAKATS PÅ GRUND AV FELAKTIG INSTALLATION, ANVÄNDNING ELLER FELAKTIGT UNDERHÅLL AV PRODUKTEN.**



### Varning! Risk för översvämning!

Om toaletten är ansluten till några SKROVGENOMFÖRINGAR, MÅSTE korrekt anslutna bottenventiler installeras i alla rörledningar som är anslutna till skrovgenomföringarna. Bottenventilerna MÅSTE vara lätt tillgängliga för alla som använder systemet, eller lätt åtkomliga sekundära ventiler måste installeras i slangarna. Alla ventiler måste ha samma diameter hela vägen igenom och vara avsedda för marint bruk. Påskruvade avstängningsventiler rekommenderas inte. Om detta inte följs finns det risk för översvämning, det kan leda till livsfarliga situationer och materiella förluster.



**Varning! Risk för översvämning!**

Om toaletten är ansluten till SKROVGENOMFÖRINGAR måste ALLA flexibla slangar vara sanitets slangar avsedda för marint bruk. De ska säkras med två slangklämmor i rostfritt stål och med skruvgänga (band) på ALLA anslutningar (t.ex. bottenventil, ventilerad böj och toalett). Anslutningarna måste REGELBUNDET kontrolleras med avseende på skador. Om detta inte följs finns det risk för översvämning, det kan leda till livsfarliga situationer och materiella förluster.

**Varning! Risk för översvämning!**

Om toalettens infattning NÅGON GÅNG kan befinna sig under vattenlinjen (krängning, lastning, trimning) och den är ansluten till en SKROVGENOMFÖRING, MÅSTE ventilerade böjar installeras på korrekta ställen på inlopps- eller avloppsledningen för att förhindra att havsvattnet sugts tillbaka in i båten. Om detta inte följs finns det risk för översvämning, det kan leda till livsfarliga situationer och materiella förluster.



*\* vid anslutning till råvatten*

**Varning! Risk för översvämning!**

Om toaletten NÅGON GÅNG ska spolas med råvatten får INTE någon råvattenpump installeras som styrs av en automatisk (behovsstyrd) brytare. Om en vattenventil eller en rörkoppling börjar läcka ombord skulle den automatiskt styrda pumpen starta, vilket kan leda till översvämning. Om denna varning inte beaktas finns det risk för olyckor med sakskador, svåra personskador och dödsfall till följd.

**Varning! Risk för översvämning!**

Innan arbetet med utrustningen påbörjas: kontrollera att strömförsörjningen har stängts av till anläggningen och att bottenventilerna är STÅNGDA resp. i AV-läget. Om detta inte följs finns det risk för översvämning, det kan leda till livsfarliga situationer och materiella förluster.

**Varning! Risk för elektriska stötar eller brand**

Använd endast rekommenderade säkringar, effektbrytare och kabelstorlekar. Om detta inte följs finns det risk för brand, det kan leda till livsfarliga situationer och materiella förluster.

**Varning!**

Överfyllnad av avloppstanken kan orsaka allvarliga skador på sanitetssystemet; avloppstanken kan spricka och innehållet rinna ut i båtens slag. För att förhindra detta rekommenderar Dometic att "full" tank"-avstängningsreläet används i toalettens kontrollmodul. "Full"-signalen från avloppstanken kan genereras av en Dometic DTM01C tankmonitor eller ett DTM04 4-steps tankövervakningssystem.

### 3 Komponenter

(bild **1** , sidan 2)

Ref.	Beskrivning
A	Macerator-toalett
B	Dometic spolningsknapp
C	Elkabel
D	Utgående kablar (2) till toaletten
E	Inkommande kablar (2) från spolningsknappen
F	Utgående kablar (2) till jordanslutning
G	Monteringsatts för montering på golvet
H	Mall för montering på golvet
I	Mall för spolningsknapp på vägg
J	Adapter vattenventil
K	Avloppsböj

(bild **2** , sidan 2)

Ref.	Beskrivning
1	Antisifon ventil
2	Backventil
3	Avloppsutlopp
4	Anslutning för avloppsadapter
5	Anslutning för avloppsslang
6	Maceratorpump
7	Vattenventil
8	Vattenventilens koppling - 0,5 tum NPT

Se den kompletta komponentlistan (separat förpackad) för mer information.



## 4 Specifikationer

### 4.1 Materials

Toalett: glasaktig keramik

Marceratorpumpens pumpkropp: glasförstärkt polypropen

Dometic-kontrollpanel spolning:  
pulverlackerad aluminium

### 4.2 Minsta systemkrav

Elinstallation	Effektbrytare	20 ampere/12 V DC; 15 ampere/24 V DC
	Kablar	12 ga. (upp till 6,1 m/20 ft. från brytaren)
Vattenförsörjning	Anslutning	13 mm inv. diameter, flexibel vattenledning
	Flöde	minst 7,6 lpm/2,0 gpm
Avlopp	Innerdiameter	minst 38 mm/1,5 in. eller 25 mm/1 in.
	Horisontell dragning	max. 30 m/98 ft.
	Vertikal dragning	max. 3 m/9,8 ft.

Specifikationerna kan ändras utan föregående meddelande.

### 4.3 Mått (bild 3, sidan 2)

#### Modeller med standardhöjd

Ref.	Mått
A	467 mm / 18,375 in.
B	375 mm / 14,75 in.
C	467 mm / 18,375 in.
D	432 mm / 17 in. - stolens höjd
E	378 mm / 14,875 in.
F	813 mm / 32 in. - med öppet lock

#### Modeller med låg profil

Ref.	Mått
A	381 mm / 15 in.
B	375 mm / 14,75 in.
C	467 mm / 18,375 in.
D	349 mm / 13,75 in. - stolens höjd
E	356 mm / 14 in.
F	711 mm / 28 in. - med öppet lock

### Dometic kontrollpanel spolning

(bild 4, sidan 2)

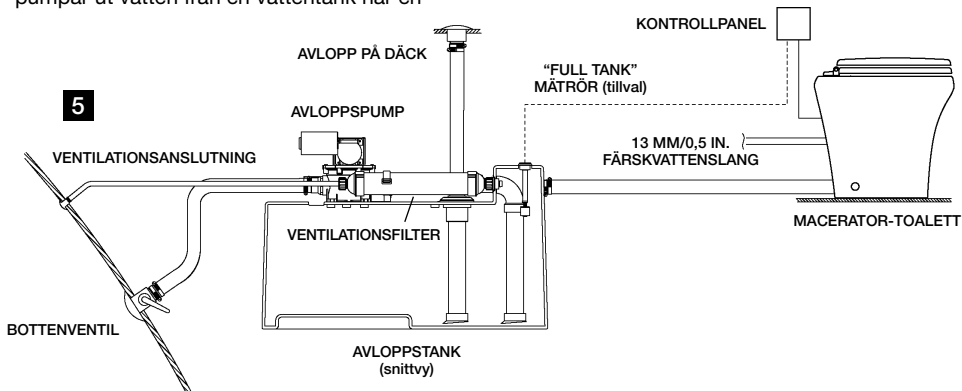
Ref.	Mått
A	83 mm / 3,25 in.
B	83 mm / 3,25 in.

## 5 Installation

### 5.1 Färskvattensystem

Dometic macerator-toaletter kan användas tillsammans med ett trycksatt vattensystem med ett flöde på minst 7,6 lpm till toaletten. En behovsstyrd, trycksatt färskvattenanläggning ska innefatta en vattenpump som automatiskt pumpar ut vatten från en vattentank när en

ventil i rörsystemet öppnas. Dometic toaletterna i 8100-serien är utrustade med en elektrisk vattenventil och en in-line backventil som förhindrar att dricksvattnet ombord förorenas.

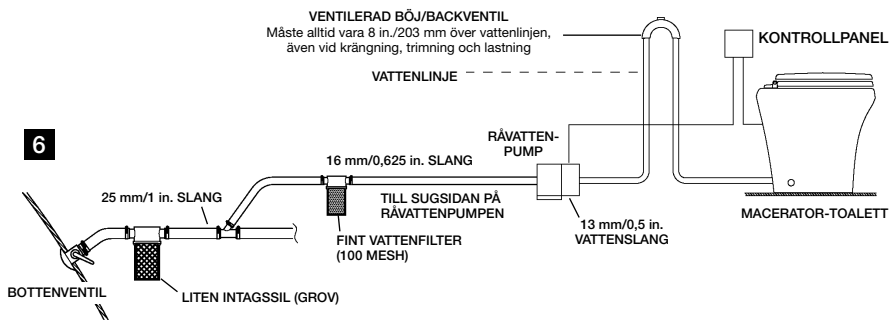


#### Observera

Använd endast kallt vatten. Installera en avstängningsventil på vattenledningen (för underhållsändamål).

### 5.2 Råvattensystem

För spolning av Dometic macerator-toaletterna kan även havsvatten användas, då behövs dock en separat pump för detta ändamål. Pumpen styrs av spolningsknappen. Om råvattenpumpen förbrukar mer än 18 ampere måste ett 12 eller 24 V DC relä installeras.



#### Observera

Använd endast kallt vatten. Installera en avstängningsventil på vattenledningen (för underhållsändamål). Använd primära och sekundära råvattenfilter. Råvattenpumpen SKA INTE vara behovsstyrd. Pumpen styrs av spolningsknappen. Installera en ventilerad böj enligt bilden. Den måste ha en inbyggd backventil som släpper in luft i ledningen så att vattnet inte sugas upp.



### Varning! Risk för översvämning

Jom toaletten NÅGON GÅNG ska spolas med råvatten får INTE någon råvattenpump installeras som styrs av en automatisk (behovsstyrd) brytare. Om en vattenventil eller en rörkoppling börjar läcka ombord skulle den automatiskt styrda pumpen starta, vilket kan leda till översvämning. Om denna varning inte beaktas finns det risk för olyckor med saksador, svåra personskador och dödsfall till följd.



## 5.3 Toalettsystem med ledningar genom golvet

1. Placera mallen för golvmontering på önskat ställe (bild **7**, sidan 8). För att få optimalt utrymme runt toaletten ska avståndet mellan mallens mittlinje och väggarna eller andra fasta föremål vara minst 279 mm.
2. Markera alla hål och monteringsvinkelns hörn genom mallen.
3. Ta bort mallen från golvet. Borra alla ingångs- och fastsättningshål i enlighet med mallen. BORRA INTE ut monteringsvinkelns hörn.
4. Fäst de långa sexkantskruvarna från monteringsplatsen för golvinklarna med en 10 mm-hylsnyckel, använd hörnmarkeringarna som orienteringshjälp (bild **8**, sidan 8).



### Observera

Dra inte åt sexkantskruvarna för hårt, monteringsvinklarna ska vara lite rörliga. Vinklarna fixeras när toalettstolen sätts fast.

5. Planera placeringen av kontrollpanelen så att de elektriska anslutningarna och kablarna inte kan bli blöta.
6. Använd mallen för väggmontering till MasterFlush 8100-serien för att markera fastsättnings- och ingångshål för panelen. Borra ett 70 mm diameters hål (bild **9**, sidan 8).
7. Slå av den elektriska strömmen, dra en 14 gauge (eller större) kabel (flertrådig kopparledare, enl. rekommendationerna från ABYC) från strömbrytaren eller säkringen till knappen på väggen och från knappen till toaletten. Anslut kablarna till tillhörande ledare på baksidan av panelen, använd crimp-anslutningar. (Detaljerad information om anslutningarna, se kopplingsdiagrammen, sidan 21-22).
8. Sätt fast kontrollpanelen på väggen (bild **9**, sidan 8).
9. Dra panelens kabel till toaletten genom ingångshålet på golvet. Dra jordkabel till toaletten. (Anordna extra kabeldragning till toaletten så att den enkelt kan tas bort från monteringsvinklarna för underhåll och service.) Avsluta anslutningarna.
10. Dra vattenledningen och avloppsledningen till toaletten i enlighet med systemkraven (avsnitt 4.2). Låt avloppsslangen och tillloppsslangen vara lite längre så att de kan anslutas till toalettstolen utan problem (bild **13**, sidan 9).
11. Anslut adaptorn för vattenventilen till den flexibla vattenledningen med en slangklämma (bild **10**, sidan 9).
12. Anslut adaptorn för vattenventilen ordentligt till vattenventilens koppling (bild **11**, sidan 9).
13. Lossa klämman på avloppsbojens utlopp och ta bort avloppsadaptorn/slangkopplingen (bild **12**, sidan 9).
14. Smörj in lite diskmedel på avloppsanslutningen och insidan av avloppsslangen. Stick in avloppsanslutningen i avloppsslangen och sätt fast den med två slangklämmor. Positionera slangklämmans skruvar 180° från varandra (bild **13**, sidan 9). Ställ toalettstolen nära ingångshålen.
15. Anslut kontrollpanelens kablar till toalettens kablar (bild **14**, sidan 9) enligt tillhörande kopplingsdiagram (sidan 21-22). Anslut toalettens jordkablar enligt illustrationen.

16. Placera toalettstolen över monteringsvinklarna och lyft (luta) den baktill. Skjut in avloppsanslutningen och slangen i avloppsböjens utlopp och fäst med klämman (bild **14**, sidan 9).
17. Sänk ned toalettstolen så att monteringsvinklarna syns genom fastsättningshålen (bild **15**, sidan 9).
18. Öppna vattentillförseln och slå på strömmen till toaletten; kontrollera att systemet är tätt. Tryck på knappen för spolning (bild **4** 1, sidan 2). Vid läckage: dra åt anslutningen.
19. Sätt in plastadaptarna från monteringssetsen för golvvinklar i fastsättningshålen. Fäst toalettstolen med de korta skruvarna i monteringssetsen.
20. Sätt på plastlock över skruvarna (bild **16**, sidan 9).

#### 5.4 Toalettsystem med ledningar genom väggen

1. För dragning av kablar och ledningar: markera hålens vertikala mittlinje med hjälp av mallen för golvmontering.
2. Lossa klämman på avloppsböjens utlopp och ta bort (den raka) slangkopplingen (bild **2** 5, sidan 2) från avloppsadaptorns koppling (bild **2** 4, sidan 2).
3. Anslut avloppsböjen (bild **1** K, sidan 2) till avloppsadaptorns koppling.
4. Placera toaletten i rätt position och markera de horisontella mittlinjerna (bild **17**, sidan 10).
5. Borra hålen i enlighet med mallen.
6. Dra kablar och ledningar genom hålen och följ sedan installationsanvisningarna i avsnitt 5.3, fr.o.m. steg 10.

#### 5.5 Toalettsystem med ”full tank”-avstängningsrelä och tankövervakningssystem

Dometic macerator-toaletter kan användas med Dometic DTM01C tankövervakning och DTM04 4-stegs tankövervakningssystem (anskaffas separat). I de här installationerna sker strömförsörjningen till toaletterna i 8100-serien genom ett ”full tank”-avstängningsrelä (se kopplingsscheman, sidan 21-22).

1. Dra elkablarna (inkommande) från ”full tank”-avstängningsreläet (installerat enligt anvisningarna för tankövervakningssystemet) till kontrollpanelen i 8100-serien.
2. Gå till väga enligt installationsanvisningarna i avsnitt 5.3, fr.o.m steg 10.

## 5.6 Kopplingschema

Bild **21**, sidan 21

### Bas 8100-serie toalett

Bild **22**, sidan 21

### Toalettsystem i 8100-serien med "full tank"-avstängningsrelä och tankövervakningssystem

Bild **23**, sidan 22

### Toalettsystem i 8100-serien med DTM04 övervakningssystem för avloppstanken

Beskrivning	Beskrivning
A Säkring eller effektbrytare 12 V DC: 20 amp 24 V DC: 15 amp	Q Råvattenpump
B (+) V DC ingång	R "Full tank" flottör
C Kontrollpanel spolning	S DTM01C eller nivåvakt, tankövervakningssystem
D Spolning	T LED lampa
E Tillför vatten/sparspolning	U Blå - 24 V DC ingång
F Toalett	V Röd - 12 V DC ingång
G Motor	W DTM04 panel med avstängningsrelä
H Vattenventil	X Avloppstank
I Röd	Y 1 ampere säkring eller effektbrytare
J Orange	Z V DC jord
K Grön	AA (+) 12 V DC ingång
L Svart	BB (+) 24 V DC ingång
M Vit	CC OBSERVERA: Tjocka linjer anger flertrådiga kopparledare – storleken bestäms utgående från ABYC-rekommendationerna. Alla andra kablar kan vara 18 gauge med flertrådiga kopparledare.
N "Full tank"-avstängningsrelä (min. 30 ampere)	
O Strömbrytare eller säkringar dimensioneras enligt pump-tillverkarens uppgifter	
P Relä krävs för råvattenpump (tillval). Kontrollera att reläets strömstyrka överensstämmer med kraven som gäller för råvattenpumpen	



### Varning– risk för elektriska stötar eller brand

Använd endast rekommenderade säkringar, effektbrytare och kabelstorlekar. Om denna varning inte beaktas finns det risk för olyckor med saksador, svåra personskador och dödsfall till följd.



### Observera

Det måste finnas en effektbrytare eller säkring med medellång fördröjning till varje toalett. Hela installationen måste uppfylla kraven i ABYC/ISO-standarderna för elinstallationer. Använd alltid crimp-anslutningar för kablar. Använd inte skruvanslutningar (de korroderar).

## 6 Kundtjänst

För service och underhåll av sanitetssystemet finns det ett effektivt, våldsomsparande servicenät. Information om närmaste servicetälle erhålls på nedanstående telefonnummer, måndag-fredag, kl. 8:00 till kl. 17:00.

Om du behöver reservdelar, kontakta närmaste reservdelsåterförsäljare, eller be din återförsäljare. Från reservdelsåterförsäljaren erhålls samtliga reservdelar för Dometic produktlinjen.

Telefonnummer:	1 800-321-9886	U.S.A. och Canada
	330-496-3211	Internationellt
Fax:	330-496-3097	U.S.A. och Canada
	330-496-3220	Internationellt
Webbsida:	<a href="http://www.Dometic.com">http://www.Dometic.com</a>	

## Indholdsfortegnelse

DA

1	Henvisninger vedr. brug af vejledningen . . . . .	79
2	Generelle sikkerhedshenvisninger . . . . .	79 - 80
3	Komponenter . . . . .	81
4	Specifikationer . . . . .	82
5	Installation . . . . .	83 - 86
6	Kundeservice . . . . .	87

## 1 Henvisninger vedr. brug af vejledningen



### Forsigtig!

**Sikkerhedshenvisning:** Manglende overholdelse af denne henvisning kan medføre materiel skade og begrænse apparatets funktion.



### Bemærk

Supplerende information om anvendelse af apparatet.

fig. **1 A, side 2** : Dette henviser til et element på en illustration. I dette eksempel komponent A på figur 1 på side 2

## 2 Generelle sikkerhedshenvisninger

Producenten er ikke ansvarlig for skadeskrav, som skyldes følgende:

- Forkert montering eller tilslutning
- Beskadigelse af enheden på grund af mekanisk påvirkning
- Ændringer på enheden uden udtrykkelig skriftlig tilladelse fra producenten
- Anvendelse til andre formål end dem, der er beskrevet i driftsvejledningen

### 2.1 Advarsler – skibsanvendelser

Følgende erklæringer skal læses og forstås, før dette produkt installeres, vedligeholdes og/eller betjenes på en båd. Ændring af dette produkt kan medføre materiel skade.

Dometic anbefaler, at et kvalificeret skibstekniker eller -elektriker installerer eller vedligeholder dette produkt. Ukorrekt installation kan medføre beskadigelse af udstyret, kvæstelse af personer eller død. DOMETIC PÅTAGER SIG INTET ANSVAR FOR BESKADIGELSE AF UDSKYR ELLER KVÆSTELSE AF PERSONER ELLER DERES DØD, SOM KAN SKYLDLES UKORREKT INSTALLATION, VEDLIGEHOLD-ELSE ELLER BETJENING AF DETTE PRODUKT.



### Forsigtig! Fare for oversvømmelse

Hvis toilettet er tilsluttet til gennemgående armaturer, SKAL der installeres korrekt installerede søventiler i alle rør, der er tilsluttet til de gennemgående armaturer. Der SKAL være nem adgang til søventiler for alle brugere af toilettet eller sekundære ventiler, der er monteret i slanger, hvor der er nem adgang til dem. Alle ventiler SKAL være fuldt borede ventiler og have skibs-kvalitet. Spærreventiler, der skrues for at lukke, anbefales ikke. Hvis dette ikke overholdes, kan det medføre oversvømmelse, som kan medføre tab af materielle værdier eller liv.



**Forsigtig! Fare for oversvømmelse**

Hvis toiletet er tilsluttet til gennemgående armaturer, skal ALLE fleksible slanger have skibssanitetskvalitet og skal fastgøres til ALLE armaturer (som f.eks. dem på søventilen, udluftede løkker eller toiletet) med to snekke-slangespændebånd af rustfrit stål på hver tilslutning. Tilslutningernes integritet SKAL kontrolleres tit. Hvis dette ikke overholdes, kan det medføre oversvømmelse, som kan medføre tab af materielle værdier eller liv.

**Forsigtig! Fare for oversvømmelse**

Hvis toiletets kant er under vandlinjen på NOGET SOM HELST tidspunkt (hvis skibet krænger, læsses eller trimmes) og er tilsluttet til gennemgående armaturer, SKAL korrekt placerede (udluftede) løkker installeres i indgangs- eller udlædningsrørene for at forebygge, at havvand kan løbe tilbage i båden. Hvis dette ikke overholdes, kan det medføre oversvømmelse, som kan medføre tab af materielle værdier eller liv.



*\* Hvis tilsluttet til råvand*

**Forsigtig! Fare for oversvømmelse**

Hvis toiletet bruger råvand til skylning på NOGET SOM HELST tidspunkt, MÅ der IKKE installeres en råvandspumpe, der styres af en automatisk forbrugskontakt. Hvis vandventilen om bord eller andre rørtilslutninger lækede, ville den automatiske pumpe starte og kunne oversvømme båden. Hvis dette ikke overholdes, kan det medføre tab af materielle værdier eller liv.

**Forsigtig! Fare for oversvømmelse**

Før arbejde påbegyndes på dette produkt, skal al strømforsyning til enheden slukkes og søventilerne placeres i positionen LUKKET eller FRÅ. Hvis dette ikke overholdes, kan det medføre oversvømmelse, som kan medføre tab af materielle værdier eller liv.

**Forsigtig! Fare for stød eller brandfare**

Anvend altid den anbefalede sikrings-, brydekontakt- og ledningsstørrelse. Hvis dette ikke overholdes, kan det medføre brand, som kan medføre tab af materielle værdier eller liv.

**Forsigtig!**

Overfyldning af lagertanken kan medføre alvorlig beskadigelse af sanitetssystemet, som f.eks. at lagertanken brister og lukker tankens indhold ud i bunden. For at undgå denne mulighed anbefaler Dometic at bruge afbrydelsesrelæet for "fuld" tank i toiletets elektroniske styremodul. Signalet "fuld" fra lagertanken kan frembringes af en ekstra tankmonitor Dometic DTM01C eller et tankkontrolsystem DTM04 med fire niveauer.



### 3 Komponenter

(fig. **1**, side 2)

Ref.	Beskrivelse
A	Findelingstoilet
B	Dometic skyllekontakt
C	Elektrisk indgangsledning
D	Udgangsledninger (2) til toilet
E	Indgangsledninger (2) fra skyllekontakt
F	Udgangsledninger (2) til stelforbindelse
G	Materialesæt til gulvmontering
H	Skabelon til gulvmontering
I	Vægskabelon til skyllekontakt
J	Vandventiladapter
K	Udledningsvinkelrør

(fig. **2**, side 2)

Ref.	Beskrivelse
1	Anti-løfteventil
2	Kontrolventil
3	Udgang for udledningsløkke
4	Armaturløkke til udledningsadapter
5	Armaturløkke til udledningsslange
6	Findelingspumpe
7	Vandventil
8	Vandledning armatur - 0,5 in. NPT

Se komplet reservedelsliste (pakket separat) for yderligere information.

## 4 Specifikationer

### 4.1 Materialer

Toilet: Glaseret keramik

Findelingspumpelegeme: Glasfyldt polypropylen

Dometic skyllekontaktpanel: Pulvercoatet aluminium

### 4.2 Min. systemkrav

Strøm	Brydekontakt	20 ampere/12 V DC; 15 ampere/24 V DC
	Ledningsføring	12 ga. (indtil 6,1 m/20 ft. fra kontakt)
Vandforsyning	Armatyr	Fleksibel vandledning med 13 mm indv. diameter
	Gennemstrømningshastighed	7,6 lpm/2,0 gpm min.
Udledning	Indv. diameter	38 mm/1,5 in. eller 25 mm/1 in. min.
	Horisontal forskel	30 m/98 ft. maks.
	Vertikal forskel	3 m/9,8 ft. maks.

Specifikationer kan ændres uden varsel.

### 4.3 Mål (fig. 3, side 2)

#### Modeller med standardhøjde

Ref.	Mål
A	467 mm / 18,375 in.
B	375 mm / 14,75 in.
C	467 mm / 18,375 in.
D	432 mm / 17 in. - sædehøjde
E	378 mm / 14,875 in.
F	813 mm / 32 in. - sædelåg oppe

#### Lavprofilmodeller

Ref.	Mål
A	381 mm / 15 in.
B	375 mm / 14,75 in.
C	467 mm / 18,375 in.
D	349 mm / 13,75 in. - seat height
E	356 mm / 14 in.
F	711 mm / 28 in.- seat lid up

#### Dometic skyllekontaktpanel

(fig. 4, side 2)

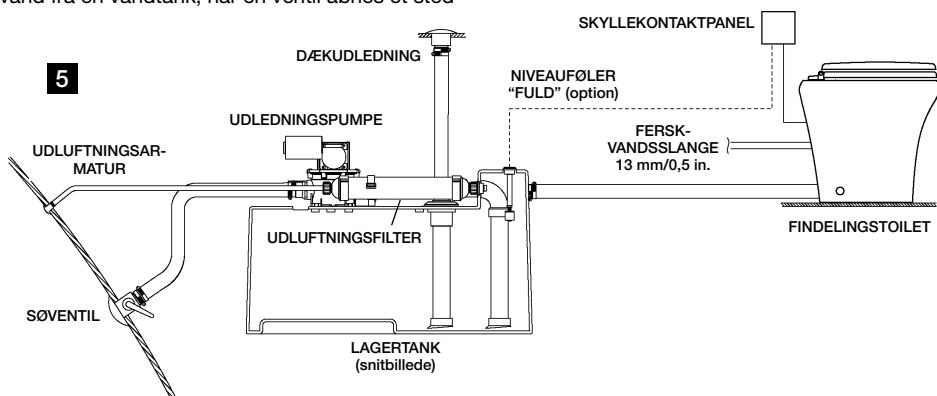
Ref.	Mål
A	83 mm / 3,25 in.
B	83 mm / 3,25 in.

## 5 Installation

### 5.1 Ferskvandssystemets opbygning

Dometic findelingstoiletter kan betjenes med et ferskvandstrykssystem om bord med en min. gennemstrømningshastighed på 7,6 lpm ved toilettet. Ferskvandsforbrugssystemet om bord indeholder en vandpumpe, som automatisk tager vand fra en vandtank, når en ventil åbnes et sted

i rørsystemet. Toiletter i serien Dometic 8100 er udstyret med en elektrisk vandventil og en indbygget kontrolventil for at undgå kontamination af drikkevandsforsyningen om bord.

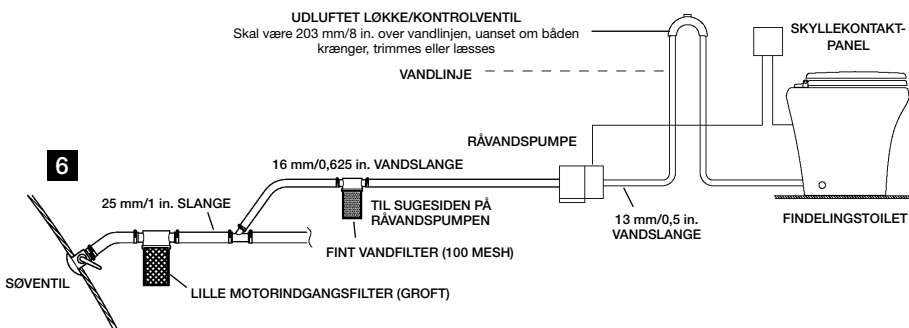


#### Bemærk

Anvend kun koldt vand. Indsæt afbrydelsesventilen i vandledningen af hensyn til vedligeholdelse.

### 5.2 Råvandssystemets opbygning

Dometic findelingstoiletter kan skylle med havvand, men kræver en separat pumpe til dette formål. Pumpen styres af skyllekontakten. Hvis råvandspumpen forbruger mere strøm end 18 ampere, skal der installeres et elektrisk relæ på 12 eller 24 V DC.



#### Bemærk

Anvend kun koldt vand. Indsæt afbrydelsesventilen i vandledningen af hensyn til vedligeholdelse.

Anvend primære og sekundære råvandsfiltre.

Råvandspumpen MÅ IKKE være af forbrugstypen. Pumpen styres af skyllekontakten.

Installer udluftet løkke som vist. Den skal være udstyret med en integreret kontrolventil, som lukker luft ind i ledningen for at undgå hævnning.



### Forsigtig! Fare for oversvømmelse

Hvis toiletet bruger råvand til skylning på NOGET SOM HELST tidspunkt, MÅ der IKKE installeres en råvandspumpe, der styres af en automatisk forbrugskontakt. Hvis vandventilen om bord eller andre rortilslutninger lække, ville den automatiske pumpe starte og kunne oversvømme båden. Hvis denne advarsel ikke overholdes, kan det medføre tab af materielle værdier eller liv.



## 5.3 Toiletsystem med tilslutninger gennem gulvet

1. Placér skabelonen til gulvmontering på det ønskede sted (fig. **7**, side 8). For at opnå optimal brugerkomfort skal vægge eller andre indvendige armaturer være mindst 279 mm fra skabelonens midterlinje.
2. Kørn alle huller og monteringsholderens hjørner gennem skabelonen.
3. Fjern skabelonen fra gulvet. Bor alle adgangs- og fastgørelses-huller som angivet på skabelonen. Bor IKKE monteringsholderens hjørner.
4. Fastgør gulvholderne med lange sekskantskruer fra toiletets gulvholdersæt ved hjælp af en topnøgle med 10 mm, og brug hjørnemarkeringerne som hjælp (fig. **8**, side 8).



### Bemærk

Spænd ikke sekskantskruerne fuldstændigt fast på gulvet – lad holderne kunne glide lidt. Holderne spændes, når toiletet fastgøres til holderne.

5. Planlæg placeringen af skyllekontaktpanelet, så de elektriske tilslutninger og ledningerne ikke kan blive våde.
6. Anvend skabelonen til vægkontakten for toiletet i serien MasterFlush 8100 til at markere placeringen af fastgørelses- og adgangshuller for vægkontaktpanelet. Bor et hul med en diameter på 70 mm (fig. **9**, side 8).
7. Før kobberledningen med 14 eller flere ledere (i overensstemmelse med ABYC-anbefalinger) fra brydekontakten eller sikringen til vægkontakten og fra vægkontakten til toiletet, mens der er slukket for strømmen. Til ledningerne til de passende ledninger, der er fastgjort på bagsiden af vægkontaktpanelet med ledningstilslutninger med presning. (For fuldstændige ledningsforingsmuligheder, se strømskemaer, s. 21-22).
8. Fastgør vægkontaktpanelet på væggen (fig. **9**, side 8).
9. Træk vægkontaktpanelets ledninger til toiletet gennem adgangshullet i gulvet. Træk stelforbindelsens ledning til toiletet. (Sørg for ekstra ledning ved toiletet, så toiletet nemt kan fjernes fra monteringsholderne i forbindelse med fremtidig vedligeholdelse eller service.) Udfør de sidste ledningstilslutninger.
10. Træk vandforsyningen og udledningsrøret til toiletet i henhold til systemkravene (afsnit 4.2). Sørg for ekstra vandforsyning og udledningsslangelængder for at sikre nem tilslutning til toiletet (fig. **13**, side 9).
11. Tilslut vandventiladapteren til den fleksible vandledning med en slangeklemme (fig. **10**, side 9).
12. Til vandventiladapteren sikkert til vandventilarmaturen (fig. **11**, side 9).
13. Løsn spændebåndet på udledningsløkkens udgang, og fjern udledningsadapterens armatur/slangearmaturens samling (fig. **12**, side 9).
14. Smør udledningsarmaturens samling og den indvendige ende af udledningsslangen med flydende opvaskemiddel. Skub udledningsarmaturens samling ind i udledningsslangen, og forbind dem med to slangeklammer. Placér slangeklemmens skruer 180° fra hinanden (fig. **13**, side 9). Placér toiletet tæt på adgangshullerne.

15. Tilslut skyllekontaktpanelets ledninger til toilettets ledninger (fig. 14, side 9) i henhold til det pågældende strømskema (s. 21-22). Tilslut stelledningerne fra toilettet som angivet.
16. Placér toilettet over gulvholderne, og vip toilettet op bagfra. Skub udledningssamlingens armatur og slange op indtil udledningssløkkens udgang, og spænd klemmen (fig. 14, side 9).
17. Sænk toilettet ned, så gulvholderne kan ses gennem fastgørelshullerne (fig. 15, side 9).
18. Luk op for vandforsyningen, tænd strømmen til toilettet, og kontrollér for lækager. Tryk på kontakten "skyl" (fig. 4, 1, side 2). Spænd tilslutningen, hvis der forekommer lækager.
19. Indsæt plastikadaptere fra gulvholdersættet i fastgørelshullerne. Fastgør toilettet til holderne med kort skruer, der er vedlagt i sættet.
20. Dæk gulvholderskruerne med plastikafdækninger (fig. 16, side 9).

#### 5.4 Toiletsystem med tilslutninger gennem væggen

1. Anvend gulvskabelonen til at lokalisere den vertikale midterlinje for hvert hul og at trække lednings- og rørforbindelser gennem væggen.
2. Løsn spændebåndet på udledningssløkkens udgang, og fjern den lige udledningsslangearmatur (fig. 2, 5, s. 2) fra udledningsadapterens armatur (fig. 2, 4, s. 2).
3. Fastgør udledningsvinkelrøret (fig. 1, K, s. 2) på udledningsadapterens armatur.
4. Placér toilettet korrekt, og markér de horisontale midterlinjer (fig. 17, side 10).
5. Bor hulstørrelser som angivet på skabelonen.
6. Træk ledninger og rør gennem hullerne, og følg derefter instruktionerne til installation af toilettet begyndende med afsnit 5.3, trin 10.

#### 5.5 Toiletsystem med "fuld tank"-afbrydelsesrelæ og tankkontrolsystem

Dometic findelingstoiletter fungerer med Dometic's tankmonitor DTM01C og tankkontrolsystemer med fire niveauer DTM04 (leveres separat). I disse vejledninger modtager toilettet i serien 8100 strøm gennem "fuld tank"-afbrydelsesrelæet (se strømskemaer, side 21-22).

1. Træk indgangsstrømledninger fra "fuld tank"-afbrydelsesrelæet (førinden monteret i henhold til instruktionerne for tankkontrolsystemet) til skyllekontaktpanelet i serie 8100.
2. Følg vejledningen til toiletmontering, og start med afsnit 5.3, trin 10.

## 5.6 Strømskema

Fig. **21**, side 21

### Grundlæggende toilet i serie 8100

Fig. **22**, side 21

### Toiletsystem i serie 8100 med afbrydelsesrelæ og "fuld tank"-monitor

Fig. **23**, side 22

### Toilet system i serie 8100 med DTM04 lagertankkontrolsystem med flere niveauer

	Beskrivelse
A	Sikring eller brydekontakt 12 V DC: 20 ampere 24 V DC: 15 ampere
B	+ V DC indgang
C	Skyllekontaktpanel
D	Skyl
E	Tilføjr vand/tør skylning
F	Toilet
G	Motor
H	Vandventil
I	Rød
J	Orange
K	Grøn
L	Sort
M	Hvid
N	"Fuld tank"-afbrydelsesrelæ (min. 30 ampere)
O	Brydekontakt eller sikringsstørrelse i henhold til pumpeproducentens krav
P	Relæ Nødvendig til ekstra råvandspumpe. Sørg for, at relæets strømkapacitet opfylder råvandspumpens krav

	Beskrivelse
Q	Råvandspumpe
R	Tanksvømmer "fuld"
S	DTM01C eller Tankovervågning med tankniveauekontrol
T	Lysdiodelys
U	Blå - 24 V DC indgang
V	Rød - 12 V DC indgang
W	DTM04-panel med afbrydelsesrelæ
X	Affaldslagertank
Y	1 ampere sikring eller brydekontakt
Z	V DC stel
AA	+12 V DC
BB	+24 V DC
CC	BEM/ERK: Fede linjer repræsenterer kobberledning – størrelse skal bestemmes på grundlag af ABYC-anbefalinger. Alle andre ledninger kan være kobberledning med 18 ledere.



#### Forsigtig – fare for stød eller brandfare

Anvend altid den anbefalede sikrings-, brydekontakt- og ledningsstørrelse. Hvis dette ikke overholdes, kan det medføre tab af materielle værdier eller liv.



#### Bemærk

Hvert toilet skal have sin egen medieforsinkelsesbrydekontakt eller sikring. Alle installationsfaktorer skal være i overensstemmelse med de elektriske ABYC/ISO-standarder. Anvend altid ledningstilslutninger med presning. Anvend ikke ledningsmøtrikker (de korroderer).

## 6 Kundeservice

Der er et stærkt netværk i hele verden til at hjælpe ved service og vedligeholdelse af dit sanitetssystem. Ring til det autoriserede servicecenter i nærheden af dig fra kl. 8.00 til kl. 17.00 fra mandag til fredag.

Du kan også kontakte eller få din lokale forhandler til at kontakte den nærmeste reservedistributør, så du hurtigt får svar på dit behov for erstatningsdele. De har et fuldstændigt katalog for Dometic-produktlinjen.

Telefon:	1 800-321-9886	USA og Canada
	330-496-3211	Internationalt
Fax:	330-496-3097	USA og Canada
	330-496-3220	Internationalt
Websted:	<a href="http://www.Dometic.com">http://www.Dometic.com</a>	

## Innhold

NO

1	Merknader om bruk av håndboken . . . . .	88
2	Generelle sikkerhetsanvisninger . . . . .	88 - 89
3	Komponenter. . . . .	90
4	Spesifikasjoner . . . . .	91
5	Montering . . . . .	92 - 95
6	Kundeservice. . . . .	96

## 1 Merknader om bruk av håndboken



### Forsiktig!

**Sikkerhetsanvisning:** Dersom denne anvisningen ikke overholdes, kan det føre til materielle skader og at funksjonen til enheten svekkes.



### Merk

Ekstra informasjon om bruken av enheten.

fig. **1 A, side 2** : Dette refererer til et element i en illustrasjon. I dette eksemplet, element A i figur 1 på side 2.

## 2 Generelle sikkerhetsanvisninger

Produsenten kan ikke holdes ansvarlig for krav om skadeerstatning som oppstår pga. følgende:

- Feil montering eller tilkobling
- Skade på enheten pga. mekanisk påvirkning
- Endringer på enheten uten tillatelse fra produsenten
- Brukt til andre formål enn de som er beskrevet i bruksanvisningen

### 2.1 Advarsler – marine bruksområder

Følgende informasjon må leses og forstås før installasjon, service og/eller bruk av dette produktet ombord på båt. Modifisering av dette produktet kan føre til materielle skader.

Dometic anbefaler at en kvalifisert marinetekniker eller elektriker installerer og utfører service på dette produktet. Feil installasjon kan føre til materielle skader, personskader eller også dødsfall. DOMETIC TAR IKKE ANSVAR FOR SKADER PÅ UTSTYR, ELLER PERSONSKADER ELLER DØDSFALL SOM OPPSTÅR PGA. FEIL INSTALLASJON, SERVICE ELLER DRIFT AV PRODUKTET.



### Forsiktig! Overløpsfare

Hvis toalettet er koblet til NOEN skroggjennomføringskoblinger, MÅ det installeres stoppekraner på riktig måte i alle rør som er koblet til skroggjennomføringskoblingene. Stoppekranene MÅ være lett tilgjengelige for alle brukere av toalettet, eller ekstra ventiler monteret i slanger der de er lett tilgjengelige. Alle ventiler MÅ være fulløpsventiler og av maritim kvalitet. "Screw-to-close gate"-ventiler anbefales ikke. Hvis du ikke gjør dette, kan det føre til oversvømmelse, som igjen kan føre til tap av liv og eiendom.





**Forsiktig! Overløpsfare**

Hvis toalettet er koblet til NOEN skroggjennomføringskoblinger, må ALLE fleksible slanger være av maritim sanitærkvalitet, og må festes til EN ELLER ANNEN kobling (som f.eks. de på stoppekran, luftet sløyfe eller toalett) med to slangeklemmer i rustfritt stål på hver tilkobling. Tilkoblingene MÅ kontrolleres regelmessig at de er hele. Hvis du ikke overholder dette, kan det føre til oversvømmelse, som igjen kan føre til tap av liv og eiendom.

**Forsiktig! Overløpsfare**

Hvis toalettranden NOEN GANG er under vannoverflaten (under alle forhold av krenning, lasting eller trimming) og er koblet til EN ELLER ANNEN skroggjennomføringskobling, MÅ korrekt plasserte og ventilerte (luftede) sløyfer monteres ved inntaks-\* eller utløpsrørene for å hindre eventuelt tilbakeslag av sjøvann inn i båten. Hvis du ikke gjør dette, kan det føre til oversvømmelse, som igjen kan føre til tap av liv og eiendom.



*\* hvis koblet til ubehandlet vann*

**Forsiktig! Overløpsfare**

Hvis toalettet PÅ ETT ELLER ANNET TIDSPUNKT bruker ubehandlet vann til skylling, må det IKKE monteres en pumpe for ubehandlet vann som kontrolleres av en automatisk kravbryter. Hvis vannventilen ombord eller eventuelle sanitærtilkoblinger skulle lekke, vil den automatiske pumpen starte og vil kunne oversvømme båten. Hvis du ikke overholder dette, kan det føre til tap av liv og eiendom.

**Forsiktig! Overløpsfare**

Før du begynner å arbeide på dette produktet, må du påse at all strøm til enheten er slått av og at stoppekranene er i posisjon STENGT eller AV. Hvis du ikke gjør dette, kan det føre til oversvømmelse, som igjen kan føre til tap av liv og eiendom.

**Forsiktig! Fare for støt eller brann**

Bruk alltid anbefalt sikring, skillebryter og kabelstørrelse. Hvis du ikke gjør dette, kan det føre til brann, som igjen kan føre til tap av liv og eiendom.

**Forsiktig!**

Dersom lagertanken overfylles, kan det føre til alvorlige skader på sanitærsystemet, som f.eks. brister i lagertanken og at innholdet i tanken renner ut i kimmingen. For å hindre dette, anbefaler Dometic å bruke "full tank"-utkoblingsrelé i toalettets elektroniske kontrollpanel. "Full"-signalet fra lagertanken kan genereres av en ekstra Dometic DTM01C tankovervåking eller DTM04 firenivåers tankovervåkingssystem.

### 3 Komponenter

(fig. **1**, side 2)

Ref.	Beskrivelse
A	Macerator-toalett
B	Dometic skyllebryter
C	Elektrisk tilførselskabel
D	Utgangskabler (2) til toalettet
E	Tilførselskabler (2) fra skyllebryter
F	Utgangskabler (2) til jordkobling
G	Maskinvaresett for gulvmontasje
H	Mal for gulvmontasje
I	Veggmal skyllebryter
J	Vannventil-adapter
K	Albuekobling tømning

(fig. **2**, side 2)

Ref.	Beskrivelse
1	Anti-sifong-ventil
2	Kontrollventil
3	Uttak tømmesløyfe
4	Adapterkobling tømning
5	Slangekobling tømning
6	Macerator-pumpe
7	Vannventil
8	Vannventilkoblingen - 0,5 in. NPT

Se den komplette delelisten (pakket separat) for mer informasjon.

## 4 Spesifikasjoner

### 4.1 Materialer

Toalett: sanitærporselen

Macerator-pumpe-del: glassfylt polypropylen

Dometic skyllebryterpanel: pulverbelagt aluminium

### 4.2 Minimum systemkrav

Elektrisk	Skillebryter	20 amp/12 V DC; 15 amp/24 V DC
	Kabling	12 ga. (opp til 6,1 m fra skillebryter)
Vanntilførsel	Kobling	13 mm ID fleksibel vannledning
	Strømningshastighet	7,6 lpm /2,0 gpm minimum
Tømming	Innvendig diameter	38 mm/ 1,5 in. eller 25 mm/1 in. minimum
	Horisontal føring	30 m/98 ft. maksimum
	Vertikal føring	3 m/9,8 ft. maksimum

Spesifikasjonene kan endres uten varsel.

### 4.3 Mål (fig. 3, side 2)

#### Modeller med standard høyde

Ref.	Mål
A	467 mm / 18,375 in.
B	375 mm / 14,75 in.
C	467 mm / 18,375 in.
D	432 mm / 17 in. - setehøyde
E	378 mm / 14,875 in.
F	813 mm / 32 in. - setelokk opp

#### Lavprofil modeller

Ref.	Mål
A	381 mm / 15 in.
B	375 mm / 14,75 in.
C	467 mm / 18,375 in.
D	349 mm / 13,75 in. -setehøyde
E	356 mm / 14 in.
F	711 mm / 28 in. - setelokk opp

#### Dometic skyllebryterpanel

(fig. 4, side 2)

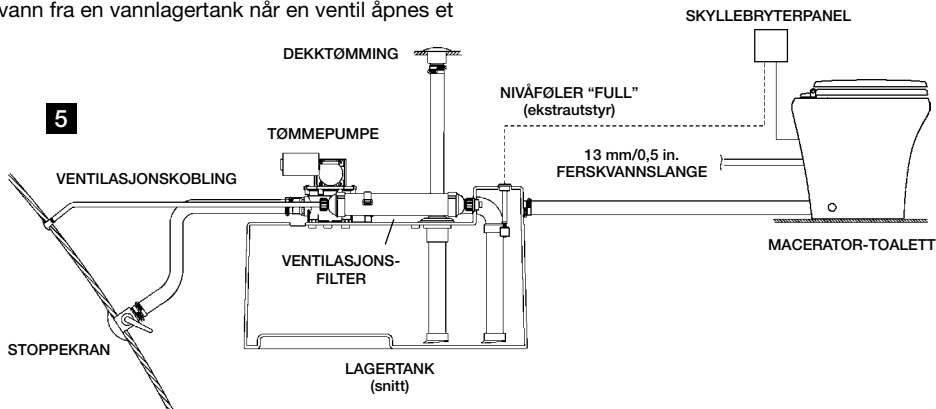
Ref.	Mål
A	83 mm / 3,25 in.
B	83 mm / 3,25 in.

## 5 Montering

### 5.1 Systemlayout for ferskvann

Dometic macerator-toaletter kan brukes med et trykksatt ferskvannssystem ombord, med en minimum strømningshastighet på 7,6 lpm ved toalettet. Ferskvann-spylesystemer ombord inkluderer en vannpumpe som automatisk tar vann fra en vannlagertank når en ventil åpnes et

sted i rørsystemet. Dometic-toaletter i 8100-serien har en elektrisk betjent vannventil og integrert kontrollventil for å hindre forurensning av drikkevann ombord.

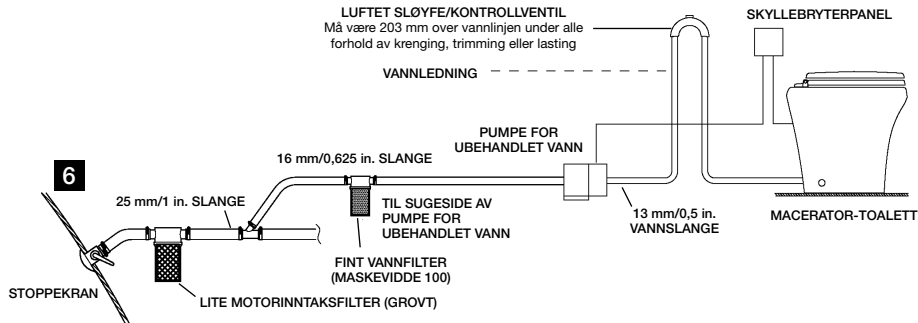


#### Merk

Bruk kun kaldt vann. Monter stengeventil på vannledningen for vedlikeholdsformål.

### 5.2 Systemlayout for ubehandlet vann

Dometic macerator-toaletter kan skylle med sjøvann, men krever en separat pumpe til dette. Pumpen styres av en skyllebryter. Hvis pumpen for ubehandlet vann trekker mer enn 18 amp strøm, må det monteres et 12 eller 24 V DC elektrisk relé.



#### Merk

Bruk kun kaldt vann. Monter stengeventil på vannledningen for vedlikeholdsformål.

Bruk primære og sekundære filter for ubehandlet vann.

Pumpe for ubehandlet vann MÅ IKKE være av spyletypen.

Pumpen styres av en skyllebryter. Monter luftet sløyfe, som vist. Den må være utstyrt med en intern kontrollventil som slipper luft inn i ledningen for å hindre sifongfunksjon.



### Forsiktig! Overløpsfare

Hvis toalettet PÅ ETT ELLER ANNET TIDSPUNKT bruker ubehandlet vann til skylning, må det IKKE monteres en pumpe for ubehandlet vann som styres av en automatisk behovsavbryter. Hvis vannventilen ombord eller eventuelle sanitærtilkoblinger skulle lekke, vil den automatiske pumpen starte og vil kunne oversvømme båten. Hvis du ikke overholder denne advarselen, kan det føre til tap av liv og eiendom.



## 5.3 Toalettsystem med gjennom-gulvet-tilkoblinger

1. Plasser mal for gulvmontasje på ønsket sted (fig. **7**, side 8). For optimal brukerkomfort må du påse at vegger eller annet fast interiør er minst 279 mm bort fra senter i malen.
2. Lag hull i senter av alle hullene og hjørnene på monteringsbraketten gjennom malen.
3. Fjern malen fra gulvet. Bor alle tilgangs- og festehull som vist på malen. IKKE bor på hjørnene av monteringsbraketten.
4. Med lange sekskantskruer fra toalettets gulvbrakettsett fester du gulvbrakettene med 10 mm pipenøkkel, bruk hjørnemerkeene som veiledning (fig. **8**, side 8).



### Merk

Ikke fest sekskantskruene helt fast til gulvet – la brakettene gli litt. Brakettene strammes til når toalettet festes til brakettene.

5. Planlegg plasseringen av skyllebryterpanelet, slik at elektriske koblinger og ledninger ikke blir våte.
6. Bruk MasterFlush 8100-seriens mal for toalettveggbryter for å merke av plasseringen av fester og tilgangshull for veggbryterpanelet. Bor et hull som er 70 mm i diameter (fig. **9**, side 8).
7. Slå av strømmen og før en 14-gauge eller større flertrådet kobberkabel (iht. ABYC-anbefalinger) fra skillebryteren eller sikringen til veggbryteren, og fra veggbryteren til toalettet. Koble kablene til respektive ledninger som er festet til baksiden av veggbryterpanelet med kabeltilkoblinger som krymper. (For fullstendige kablingsalternativer, se koblingsskjemaer, pp. 21-22).
8. Fest veggbryterpanelet til veggen (fig. **9**, side 8).
9. Før veggbryterpanelkabelen til toalettet gjennom tilgangshullet i gulvet. Før jordkabelen til toalettet. (Sørg for ekstra kabel ved toalettet for å gjøre det enkelt å fjerne toalettet fra montasjebra-kettene for vedlikehold eller service senere.) Lag endelige kabeltilkoblinger.
10. Før vanntilførsel og tømme-slange til toalettet iht. systemkravene (avsnitt 4.2). Sørg for ekstra lengde på vanntilførsels- og tømme-slangen for å sikre enkel tilkobling til toalettet (fig. **13**, side 9).
11. Koble vannventil-adapteren til den fleksible vannledningen med slangeklemme (fig. **10**, side 9).
12. Koble vannventil-adapteren til vannventilkoblingen på en sikker måte (fig. **11**, side 9).
13. Løsne slangeklemmen på uttak for tømme-sløyfe og fjern adapterkobling for tømme/slangeko-bling (fig. **12**, side 9).
14. Smør tømme-koblingen og på innsiden av enden på tømme-slengen med flytende oppvaskmid-del. Skyv tømme-koblingen inn i tømme-slengen og koble til med to slangeklemmer. Sørg for å plassere skruene på slangeklemmene 180° fra hverandre (fig. **13**, side 9). Plasser toalettet i nærheten av tilgangshullene.
15. Koble kablene for skyllebryterpanelet til toalett-kablene (fig. **14**, side 9) ifølge riktig koblingsskje-ma (pp. 21-22). Koble jordkabler fra toalettet som vist.
16. Plasser toalettet over gulvbrakettene og vipp toalettet opp i bakkant. Skyv tømme-koblingen og slangen opp og inn i uttak for tømme-sløyfe og stram til klemmen (fig. **14**, side 9).

17. Senk toalettet ned slik at gulvbrakettene vises gjennom festehullene (fig. **15**, side 9).
18. Slå på vanntilførselen og strømmen til toalettet, og sjekk om det er lekkasjer. Trykk på bryteren "Skylle" (fig. **4** 1, side 2). Hvis det oppstår lekkasjer, må tilkoblingen strammes til.
19. Før plastadaptere fra gulvbrakettsettet inn i festehullene. Fest toalettet til brakettene med de korte skruene som følger med i settet.
20. Dekk til gulvbrakettskruene med plastdeksler (fig. **16**, side 9).

#### 5.4 Toalettssystem med gjennom-veggen-tilkoblinger

1. Før å føre kabler og rørtilkoblinger gjennom veggen, bruker du gulvmalen for å finne den vertikale senterlinjen for hvert hull.
2. Løsne slangeklemmen på uttak for tømmesløyfe, og fjern den rette tømmeslangekoblingen (fig. **2** 5, s. 2) fra adapterkoblingen for tømning (fig. **2** 4, s. 2).
3. Fest albuekoblingen tømning (fig. **1** K, s. 2) til adapterkoblingen for tømning.
4. Plasser toalettet i riktig posisjon og merk av de horisontale senterlinjene (fig. **17**, s. 10).
5. Bør hullstørrelser som vist på malen.
6. Før kabler og rør gjennom hullene, følg deretter installasjonsinstruksjonene for toalettet, begynn fra avsnitt 5.3, trinn 10.

#### 5.5 Toalettssystem med "full tank"-utkoblingsrelé og tankovervåkingssystem

Dometic macerator-toaletter vil operere med Dometics DTM01C tankovervåking og DTM04 firenivå tankovervåkingssystemer (tilgjengelig separat). I disse installasjonene mottar toaletter i 8100-serien elektrisk strøm via "full tank"-utkoblingsreleet (se Koblingsskjemaer, side 21-22).

1. Før tilførselskablene fra "full tank"-utkoblingsreleet (tidligere installert iht. instruksjonene for tankovervåkingssystemet) til skyllebryterpanelet i 8100-serien.
2. Følg instruksjonene for installasjon av toalettet, begynn med avsnitt 5.3, trinn 10.

## 5.6 Koblingskjemaer

Fig. **21**, side 21

### Basic 8100-serien toalett

Fig. **22**, side 21

### Toalettssystem i 8100-serien med utkoblingsrelé og "full tank"-overvåking

Fig. **23**, side 22

### Toalettssystem i 8100-serien med DTM04 flernivås lagertank-overvåkingssystem

	Beskrivelse
A	Sikring eller skillebryter 12 V DC: 20 ampere 24 V DC: 15 ampere
B	+ V DC -inngang
C	Skyllebryterpanel
D	Skyll
E	Tilfør vann/tørr skylling
F	Toalett
G	Motor
H	Vannventil
I	Rød
J	Oransje
K	Grønn
L	Svart
M	Hvit
N	"Full tank"-utkoblingsrelé (minimum 30 A)
O	Skillebryter eller sikringsstørrelse iht. Kravene fra pumpeprodusenten.
P	Relé som er nødvendig for ekstra pumpe for ubehandlet vann. Forsikre deg om at merkestrømmen håndterer kravene til pumpe for ubehandlet vann.

	Beskrivelse
Q	Pumpe for ubehandlet vann
R	"Full" tank fløtter
S	DTM01C eller tankvakt Tanknivåovervåking
T	LED-lampe
U	Blå - 24 V DC -inngang
V	Rød - 12 V DC -inngang
W	DTM04-panel med utkoblingsrelé
X	Lagertank for avfall
Y	1 A sikring eller skillebryter
Z	V DC jord
AA	+12 V DC
BB	+24 V DC

CC MERK: Tunge ledninger representerer flertrådet kobberkabel – størrelsen avgjøres på bakgrunn av anbefalinger fra ABYC. Alle andre kabler kan være 18-gauge flertrådet kobberkabel.



### Forsiktig – fare for støt eller brann

Bruk alltid anbefalt sikring, skillebryter og kabelstørrelse. Hvis du ikke overholder dette, kan det føre til tap av liv og eiendom.



### Merk

Hvert toalett må ha sin egen skillebryter med middels forsinkelse eller sikring.

All installasjonsinformasjon må være iht. elektriske standarder fra ABYC/ISO.

Bruk alltid kabeltilkoblinger som krymper. Må ikke brukes med muttere (de korroderer).

## 6 Kundeservice

Vi har et solid, globalt nettverk for å bistå service og vedlikehold av sanitærsystemet ditt. For informasjon om nærmeste autoriserte serviceverksted, kan du ringe fra 08.00 til 17.00 (ET) mandag til fredag.

Du kan også kontakte, eller få din lokale forhandler til å kontakte nærmeste deledistributør for rask respons på din forespørsel om reservedeler. De har komplett utvalg for produktlinjen Dometic.

Telefon:	1 800-321-9886	USA og Canada
	330-496-3211	Internasjonalt
Fax:	330-496-3097	USA og Canada
	330-496-3220	Internasjonalt
Web site:	<a href="http://www.Dometic.com">http://www.Dometic.com</a>	



---



**(D)** Dometic WAECO International GmbH  
Hollefeldstraße 63 · D-48282 Emsdetten  
☎ +49 (0) 2572 879-195 · 📠 +49 (0) 2572 879-322  
Mail: info@waeco.de · Internet: www.waeco.de

**(A)** Dometic Austria GmbH  
Neudorferstrasse 108  
2353 Guntramsdorf  
☎ +43 2236 908070  
📠 +43 2236 90807060  
Mail: info@waeco.at

**(I)** WAECO Italcold SRL  
Via dell'Industria, 4/0  
I-40012 Calderara di Reno (BO)  
☎ +39 051 4148411  
📠 +39 051 4148412  
Mail: sales@waeco.it

**(AUS)** WAECO Pacific Pty. Ltd.  
1 John Duncan Court  
Varsity Lakes QLD 4227  
☎ +61 7 55076000  
📠 +61 7 55076001  
Mail: sales@waeco.com.au

**(CH)** Dometic Switzerland AG  
Riedackerstrasse 7a  
CH-8153 Rümlang (Zürich)  
☎ +41 44 8187171  
📠 +41 44 8187191  
Mail: info@waeco.ch

**(N)** Dometic Norway AS  
Leif Weldingsvei 16  
N-3208 Sandefjord  
☎ +47 33428450  
📠 +47 33428459  
Mail: firmapost@waeco.no

**(HK)** WAECO Impex Ltd.  
Suites 3210-12 · 32/F · Tower 2  
The Gateway · 25 Canton Road,  
Tsim Sha Tsui · Kowloon  
Hong Kong  
☎ +852 24632750  
📠 +852 24639067  
Mail: info@waeco.com.hk

**(DK)** Dometic Denmark A/S  
Tværvej 2  
DK-6640 Lunderskov  
☎ +45 75585966  
📠 +45 75586307  
Mail: info@waeco.dk

**(NL)** Dometic Benelux B.V.  
Ecustraet 3  
NL-4879 NP Etten-Leur  
☎ +31 76 5029000  
📠 +31 76 5029090  
Mail: info@dometic.nl

**(ROC)** WAECO Impex Ltd.  
Taipei Office  
2 FL-3 · No. 56 Tunhua South Rd, Sec 2  
Taipei 106, Taiwan  
☎ +886 2 27014090  
📠 +886 2 27060119  
Mail: marketing@waeco.com.tw

**(E)** Dometic Spain S.L.  
Camí del Mig, 106  
Poligono Industrial Les Corts  
E-08349 Cabrera de Mar  
(Barcelona)  
☎ +34 93 7502277  
📠 +34 93 7500552  
Mail: info@waeco.es

**(S)** Dometic Scandinavia AB  
Gustaf Melins gata 7  
S-42131 Västra Frölunda  
(Göteborg)  
☎ +46 31 7341100  
📠 +46 31 7341101  
Mail: info@waeco.se

**(UAE)** WAECO Middle East FZCO  
R/A 8, SD 6  
Jebel Ali, Dubai  
☎ +971 4 8833858  
📠 +971 4 8833868  
Mail: waeco@emirates.net.ae

**(F)** Dometic S.N.C.  
ZA du Pré de la Dame Jeanne  
F-60128 Plailly  
☎ +33 3 44633500  
📠 +33 3 44633518  
Mail: info@waeco.fr

**(UK)** Dometic UK Ltd.  
Dometic House - The Brewery  
Blandford St. Mary  
Dorset DT11 9LS  
☎ +44 844 626 0133  
📠 +44 844 626 0143  
Mail: sales@waeco.com.uk

**(FIN)** Dometic Finland OY  
Mestarintie 4  
FIN-01730 Vantaa  
☎ +358 20 7413220  
📠 +358 9 7593700  
Mail: waeco@waeco.fi

**SeaLand<sup>®</sup>**  
by Dometic GROUP